

Please read and save these instructions. Read carefully before attempting to assemble, install, operate or maintain the product described. Protect yourself and others by observing all safety information. Failure to comply with instructions could result in personal injury and/or property damage! Retain instructions for future reference.

# Portable Air Compressor

## Table of Contents

Description	1
Unpacking	1
Safety Guidelines	1
General Safety Information	1
Introduction	3
Assembly	3
Operation	5
Maintenance	5
Troubleshooting Chart	6
Warranty	8

## Description

Air compressor units are intended to provide compressed air to power pneumatic tools and operate spray guns. The pumps supplied are oil lubricated. A small amount of oil carryover is present in the compressed air stream. Applications requiring air free of oil or water should have the appropriate filter installed. The air compressor unit must be mounted as described in the instructions on a solid floor. Any other use of these units will void the warranty and the manufacturer will not be responsible for problems or damages resulting from such misuse.

## Unpacking

After unpacking the unit, inspect carefully for any damage that may have occurred during transit. Make sure to tighten fittings, bolts, etc., before putting unit into service.

**⚠ WARNING** Do not operate unit if damaged during shipping, handling or use. Damage may result in bursting and cause injury or property damage.

## READ & FOLLOW ALL INSTRUCTIONS

### SAVE THESE INSTRUCTIONS

### DO NOT DISCARD

## Safety Guidelines

This manual contains information that is very important to know and understand. This information is provided for SAFETY and to PREVENT EQUIPMENT PROBLEMS. To help recognize this information, observe the following symbols.

**⚠ DANGER** Danger indicates an imminent hazardous situation which, if not avoided, WILL result in death or serious injury.

**⚠ WARNING** Warning indicates a potentially hazardous situation which, if not avoided, COULD result in death or serious injury.

**⚠ CAUTION** Caution indicates a potentially hazardous situation which, if not avoided, MAY result in minor or moderate injury.

**NOTICE** Notice indicates important information, that if not followed, may cause damage to equipment.

**NOTE:** Information that requires special attention.

## General Safety Information

### CALIFORNIA PROPOSITION 65

**⚠ WARNING** This product or its power cord may contain chemicals known to the State of California to cause cancer and birth defects or other reproductive harm. Wash hands after handling.

## ⚠ DANGER

### Breathable Air Warning

This compressor/pump is NOT equipped and should NOT be used "as is" to supply breathing quality air. For any application of air for human consumption, you must fit the air compressor/pump with suitable in-line safety and alarm equipment. This additional equipment is necessary to properly filter and purify the air to meet minimal specifications for Grade D breathing as described in Compressed Gas Association Commodity Specification G 7.1, OSHA 29 CFR 1910. 134, and/or Canadian Standards Associations (CSA).

**DISCLAIMER OF WARRANTIES**  
In the event the compressor is used for the purpose of breathing air application and proper in-line safety and alarm equipment is not simultaneously used, existing warranties are void, and the manufacturer disclaims any liability whatsoever for any loss, personal injury or damage.

**⚠ WARNING** You can create dust when you cut, sand, drill or grind materials such as wood, paint, metal, concrete, cement, or other masonry. This dust often contains chemicals known to cause cancer, birth defects, or other reproductive harm. Wear protective gear.



**REMINDER:** Keep your dated proof of purchase for warranty purposes! Attach it to this manual or file it for safekeeping.

## General Safety Information (Continued)

### GENERAL SAFETY

Since the air compressor and other components (material pump, spray guns, filters, lubricators, hoses, etc.) used, make up a high pressure pumping system, the following safety precautions must be observed at all times:

1. Read all manuals included with this product carefully. Be thoroughly familiar with the controls and the proper use of the equipment.

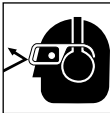


2. Follow all local electrical and safety codes as well as in the United States, the National Electrical Codes (NEC) and Occupational Safety and Health Act (OSHA).

3. Only persons well acquainted with these rules of safe operation should be allowed to use the compressor.

4. Keep visitors away and NEVER allow children in the work area.

5. Wear safety glasses and use hearing protection when operating the unit.



6. Do not stand on or use the unit as a handhold.
7. Before each use, inspect compressed air system and electrical components for signs of damage, deterioration, weakness or leakage. Repair or replace defective items before using.
8. Check all fasteners at frequent intervals for proper tightness.

**⚠ WARNING** *Motors, electrical equipment and controls can cause electrical arcs that will ignite a flammable gas or vapor. Never operate or repair in or near a flammable gas or vapor. Never store flammable liquids or gases in the vicinity of the compressor.*



**⚠ WARNING** *Never operate compressor without a beltguard. This unit can start automatically without warning. Personal injury or property damage could occur from contact with moving parts.*



9. Do not wear loose clothing or jewelry that will get caught in the moving parts of the unit.

**⚠ CAUTION** *Compressor parts may be hot even if the unit is stopped.*



10. Keep fingers away from a running compressor; fast moving and hot parts will cause injury and/or burns.
11. If the equipment should start to vibrate abnormally, STOP the engine/motor and check immediately for the cause. Vibration is generally a warning of trouble.
12. To reduce fire hazard, keep engine/motor exterior free of oil, solvent, or excessive grease.

**⚠ WARNING** *An ASME code safety relief valve with a setting no higher than 175 psi MUST be installed in the tank for this compressor. The ASME safety valve must have sufficient flow and pressure ratings to protect the pressurized components from bursting.*

**⚠ CAUTION** *See compressor specification decal for maximum operating pressure. Do not operate with pressure switch or pilot valves set higher than the maximum operating pressure.*

13. Never attempt to adjust ASME safety valve. Keep safety valve free from paint and other accumulations.

**⚠ WARNING** *Never use plastic (PVC) pipe for compressed air. Serious injury or death could result.*

**⚠ DANGER** *Never attempt to repair or modify a tank! Welding, drilling or any other modification will weaken the tank resulting in damage from rupture or explosion. Always replace worn, cracked or damaged tanks.*



**NOTICE** *Drain liquid from tank daily.*

14. Tanks rust from moisture build-up, which weakens the tank. Make sure to drain tank regularly and inspect periodically for unsafe conditions such as rust formation and corrosion.
15. Fast moving air will stir up dust and debris which may be harmful. Release air slowly when draining moisture or depressurizing the compressor system.

### SPRAYING PRECAUTIONS

**⚠ WARNING** *Do not spray flammable materials in vicinity of open flame or near ignition sources including the compressor unit.*



16. Do not smoke when spraying paint, insecticides, or other flammable substances.
17. Use a face mask / respirator when spraying and spray in a well ventilated area to prevent health and fire hazards.
18. Do not direct paint or other sprayed material at the compressor. Locate compressor as far away from the spraying area as possible to minimize overspray accumulation on the compressor.
19. When spraying or cleaning with solvents or toxic chemicals, follow the instructions provided by the chemical manufacturer.



## Introduction

Refer to Figure 1 to locate the following items.

**Pressure switch** - Auto/Off Switch - In the AUTO position, the compressor shuts off automatically when tank pressure reaches the maximum preset pressure. After air is used from the tank and drops to a preset low level, the pressure switch automatically turns the motor back on. In the OFF position, the compressor will not operate. This switch should be in the OFF position when connecting or disconnecting the power cord from the electrical outlet.

When the pressure switch turns the motor off you will hear air leaking out of the pressure switch unloader valve for a short time. This releases the air pressure from the discharge tube and allows the compressor to restart easier.

**Regulator** - The regulator controls the amount of air pressure released at the hose outlet.

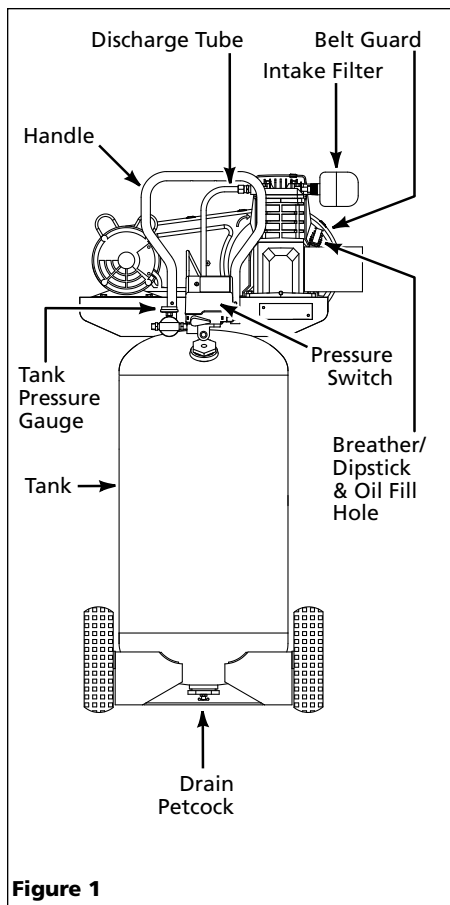


Figure 1

**ASME Safety Valve** - This valve automatically releases air if the tank pressure exceeds the preset maximum.

**Discharge tube** - This tube carries compressed air from the pump to the check valve. This tube becomes very hot during use. To avoid the risk of severe burns, never touch the discharge tube.

**⚠ WARNING** *To avoid the risk of severe burns, never touch the discharge tube.*

**Check valve** - One-way valve that allows air to enter the tank, but prevents air in the tank from flowing back into the compressor pump.

**Handle** - Designed to move the compressor.

**⚠ WARNING** *Never use the handle to lift the unit completely off the ground. Handle is intended only for pushing or pulling product.*

**Belt Guard** - Covers the belt, motor pulley and flywheel.

**⚠ WARNING** *Never operate compressor without a beltguard. This unit can start automatically without warning. Personal injury or property damage could occur from contact with moving parts.*



**Tank Drain Valve** - This valve is located on the bottom of the tank. Use this valve to drain moisture from the tank daily to reduce the risk of corrosion.

Reduce tank pressure below 10 psi, before opening drain valve.

**Tank Pressure Gauge** - Indicates amount of air pressure stored in tank.

**Hose Pressure Gauge** - Indicates amount of air pressure in hose used to operate tools. This pressure is increased or decreased by the regulator.

## Assembly

**HANDLE ASSEMBLY** - Handle may be pre-assembled on some units.

Insert four handle screws through holes in handle and tighten to tank baseplate (See Figure 2).

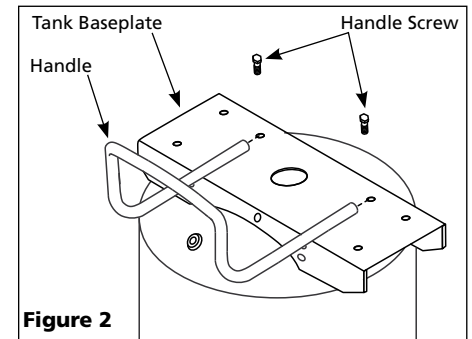


Figure 2

## FOOT ASSEMBLY

The items marked with an asterisk (\*) were shipped loose with the unit (See Figure 3).

1. Tilt unit to allow access to front foot and secure properly to ensure unit does not tip over.
2. Insert bolt through foot and bracket. The foot should be on the lower side of bracket.
3. Tightly secure with the lock nut. Repeat on opposite side.

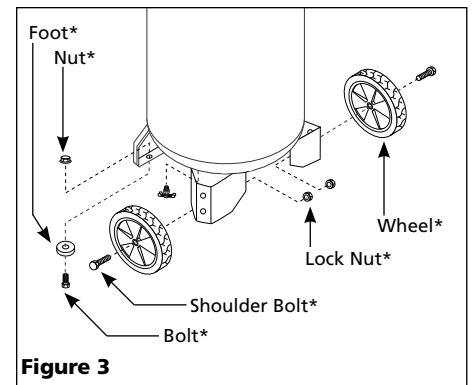


Figure 3

## Assembly (Continued)

### BREATHER INSTALLATION

Remove cap from oil fill opening. Install breather (found in parts bag with this manual). See Figure 4.

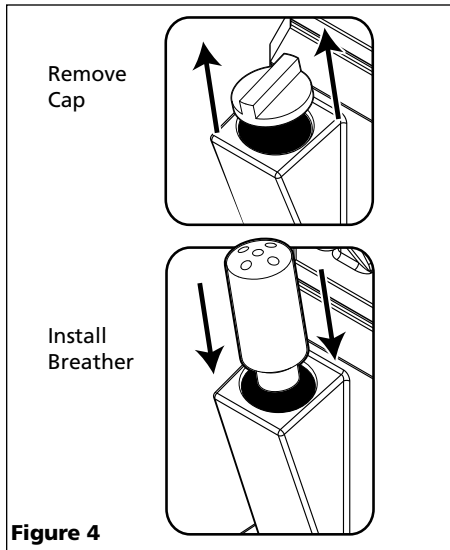


Figure 4

### LUBRICATION

**CAUTION** CHECK OIL LEVEL. SOME UNITS

**INCLUDE OIL.** Follow lubrication instructions before operating compressor.

Ensure oil drain extension and cap has been installed (if included) then remove the breather (See Figure 5) and fill pump oil according to the chart.

Pump	Approx. Oil Capacity
VS260000KB	6.0 oz
VT470000KB	8.5 oz
VT480000KB	8.5 oz

See specification label on air tank for pump model number and refer to the chart for the proper oil capacity.

### OIL DRAIN EXTENSION

Some models include an oil drain extension and cap (found with the owner's manual). Install the oil drain extension and cap before adding oil to the pump. To avoid oil leaks, it is highly recommended to apply thread seal tape or plumber's putty to the threads on each end of the oil drain extension. Screw the cap onto one end of the extension. Remove the oil drain plug from the base of the pump and install the oil drain extension (See Figure 5).

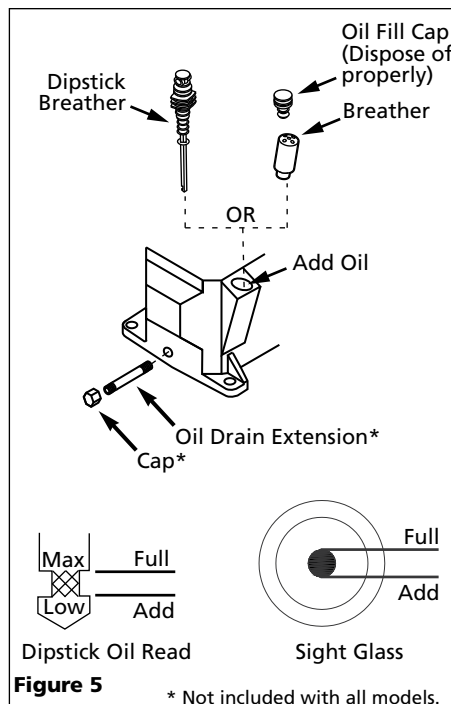


Figure 5

### OIL

Use SAE 30 industrial grade air compressor oil or full synthetic motor oil like Mobil 1 10W30. Do not use regular automotive oil such as 10W-30. Additives in motor oil can cause valve deposits and reduce pump life. For maximum pump life, drain and replace oil after the first hour of run time. Proper oil fill level is illustrated in Figure 5.

For pumps with an oil sight glass, oil level can be monitored and maintained as shown in Figure 5.

### ELECTRICAL DATA

**CAUTION** Overheating, short-circuiting and fire damage will result from inadequate wiring.



Do not use an extension cord, use a longer air hose.

The 120 volt, 15 amp units can be operated on a 120 volt 15 amp circuit under the following conditions:

1. No other electrical appliances or lights are connected to the same branch circuit.
2. Voltage is 120 Volts.
3. Circuit is equipped with a 15 amp circuit breaker or a 15 amp slow

blow fuse type T (For Canada use Type D).

4. The length of copper wire between the outlet and circuit breaker is not longer than 40 feet of 14 AWG or 70 feet of 12 AWG.

If the above conditions cannot be met or if nuisance tripping of the current protection device occurs, it may be possible to operate the compressor from a 120 volt 20 amp circuit. See Figure 6.

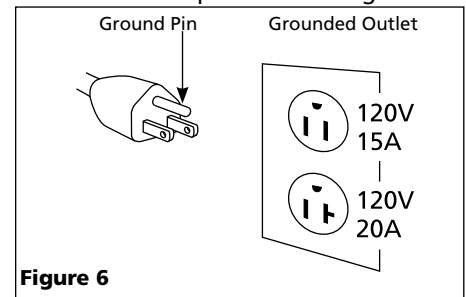


Figure 6

Check motor data plate for 240 volt compatibility. A 240 volt unit must be operated on a 240 volt circuit. The cord must only plug into a 240 volt grounded outlet and may require a new cord and plug. See Figure 7.

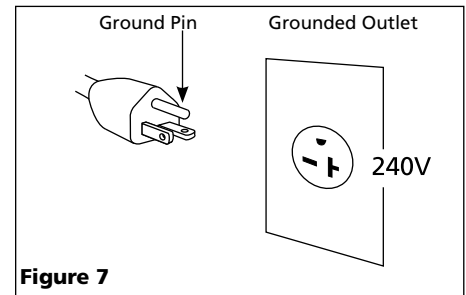


Figure 7

### GROUNDING INSTRUCTIONS

This product must be grounded. In the event of an electrical short circuit, grounding reduces the risk of electric shock by providing an escape wire for the electric current. This product is equipped with a cord having a grounding wire with an appropriate grounding plug. The plug must be plugged into an outlet that is properly installed and grounded in accordance with all local codes and ordinances.

**WARNING** Improper installation of the grounding plug is able to result in a risk of electric shock. When repair or replacement of the cord or plug is required, do not connect the grounding



wire to either flat blade terminal. The wire with insulation having an outer surface that is green with or without yellow stripes is the grounding wire.

Do not use grounding adapter.

Check with a qualified electrician or serviceman when the grounding instructions are not completely understood, or when in doubt as to whether the product is properly grounded. Do not modify the plug provided; if it does not fit the outlet, have the proper outlet installed by a qualified electrician.

This product is for use on a nominal 120-V circuit and has a grounding plug similar to the plug illustrated in Figure 6. Only connect the product to an outlet having the same configuration as the plug. Do not use an adapter with this product.

**▲ WARNING** When converting to an alternate voltage, be sure the green ground wire of the cord connects to the ground pin of the plug and to the metal body of the pressure switch.

**Operation**

**START-UP**

**NOTICE** This compressor pump must be filled with oil before startup. See lubrication section.

**▲ CAUTION** Do not attach air tools to open end of the hose until start-up is completed and the unit checks OK.

**▲ WARNING** Never disconnect threaded joints with pressure in tank!

1. Check for proper oil level. See Lubrication Section.
2. Open tank drain valve.
3. Turn pressure switch lever or knob to OFF position and plug in power cord.
4. Turn pressure switch lever or knob to AUTO position and run unit for 30 minutes to break in the pump parts (See Figure 8).
5. Turn regulator knob fully counterclockwise. Compressor will build to maximum preset pressure and shut off.

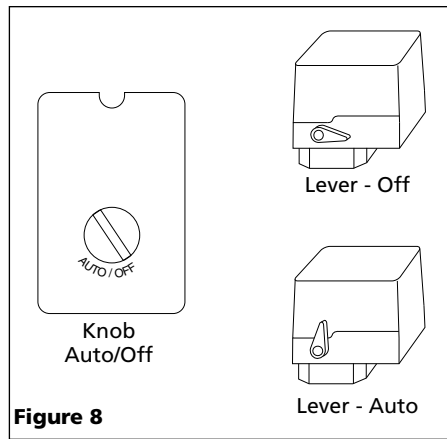


Figure 8

6. Turn regulator knob clockwise to cause air to bleed off. Compressor will restart at preset pressure.
7. Turn pressure switch lever or knob to OFF position and unplug powercord. Slowly turn regulator knob clockwise to allow all air pressure to be released. Do not proceed to the next step until the tank pressure reaches zero (0).
8. Attach hose, then add chuck or other tool to open end of hose. Plug in powercord. Turn pressure switch lever to AUTO position. When full pressure is reached turn regulator knob clockwise until desired outlet pressure is achieved.
9. After use, turn pressure switch lever or knob to the OFF position.

**MOISTURE IN COMPRESSED AIR**

Moisture in compressed air will form into droplets as it comes from an air compressor pump. When humidity is high or when a compressor is in continuous use for an extended period of time, this moisture will collect in the tank. When using a paint spray or sandblast gun, this water will be carried from the tank through the hose, and out of the gun as droplets mixed with the spray material.

**IMPORTANT:** This condensation will cause water spots in a paint job, especially when spraying other than water based paints. If sandblasting, it will cause the sand to cake and clog the gun, rendering it ineffective. A filter in the air line, located as near to the gun as possible, will help eliminate this moisture.

10. If compressor is not used for a long time period, bleed air from line and use drain valve to drain water from the tank. Then, follow the maintenance schedule.

**NOTE:** Electric models are equipped with a pressure switch that automatically turns the motor OFF when the tank pressure reaches a preset level. After air is used from the tank and drops to a preset low level, the pressure switch automatically turns the motor back on.

**Maintenance**

**▲ WARNING**

Disconnect, tag and lock out power source, then release all pressure from the system before attempting to install, service, relocate or perform any maintenance.



All repairs should be performed by an authorized service representative.

**FOR EFFICIENT OPERATION:**

Perform the following test to verify free operation of the safety valve weekly and follow maintenance schedule.

1. Pull ring on safety valve and allow the ring to snap back to normal position (see Figure 9). This valve automatically releases air if the tank pressure exceeds the preset maximum.

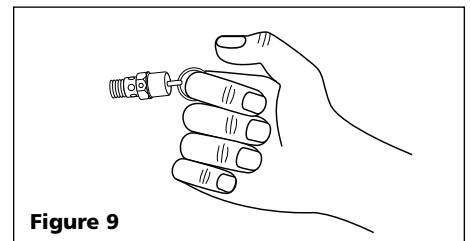


Figure 9

**▲ DANGER** Do not attempt to tamper with this valve. This valve should be checked occasionally. If air leaks after the ring has been released, or the valve is stuck and cannot be actuated by the ring, the safety valve must be replaced.

**▲ CAUTION** A large amount of fast moving air will be released if this valve is actuated with pressure in the tank.

2. With motor OFF and unplugged, clean debris from motor, flywheel, tank, air lines and pump cooling fins.

**TECHNICAL SERVICE**

For information regarding the operation or repair of this product, please call 1-800-543-6400.

**Storage**

1. When not in use, hose and compressor should be stored in a cool dry place.
2. Tanks should be drained of moisture and hose should be disconnected and hung with open ends down to allow any moisture to drain.
3. Protect the electrical cord from possible damage by winding the cord loosely around the handle of the unit or coiling the cord up.

<b>MAINTENANCE SCHEDULE</b>				
<b>OPERATION</b>	<b>DAILY</b>	<b>WEEKLY</b>	<b>MONTHLY</b>	<b>3 MONTHS</b>
CHECK OIL LEVEL	●			
DRAIN TANK	●			
CHECK AIR FILTER		●		
CHECK SAFETY VALVE		●		
CLEAN UNIT			●	
CHECK BELT TIGHTNESS			●	
CHANGE OIL				●

<b>TORQUE REQUIREMENTS (in/lbs)</b>		
<b>Model</b>	<b>Compressor Head Bolts</b>	<b>Bearing Cap Bolts</b>
VS	100-125	50-120
VT	225-300	50-120

**Troubleshooting Chart**

<b>Symptom</b>	<b>Possible Cause(s)</b>	<b>Corrective Action</b>
Low discharge pressure	1. Air demand exceeds pump capacity	1. Reduce air demand or use a compressor with more capacity.
	2. Air leaks	2. Listen for escaping air. Apply soap solution to all fittings and connections. Bubbles will appear at points of leakage. Tighten or replace leaking fittings or connections.
	3. Restricted air intake	3. Clean the air filter element.
	4. Blown gaskets	4. Replace any gaskets proven faulty on inspection.
	5. Leaking or damaged valves	5. Remove head and inspect for valve breakage, misaligned valves, damaged valve seats, etc. Replace defective parts and reassemble.
		<b>⚠ CAUTION</b> <i>Install a new head gasket each time the head is removed</i>

Pump overheating causes air filter to melt	1. Insulating gasket between filter and head is missing	1. Install gasket.
	2. Broken valves/blown gasket	2. Replace valves or install new gasket.

Excessive noise (knocking)	1. Loose motor or compressor pulley	1. Loose motor or compressor pulleys are a very common cause of compressors knocking. Tighten pulley clamp bolts and set-screws.
	2. Lack of oil in crankcase	2. Check for proper oil level; if low, check for possible damage to bearings. Dirty oil can cause excessive wear.
	3. Worn connecting rod	3. Replace connecting rod. Maintain oil level and change oil more frequently.
	4. Worn piston pin bores	4. Remove piston assemblies from the compressor and inspect for excess wear. Replace excessively worn piston pin or pistons, as required. Maintain oil level and change oil more frequently.
	5. Piston hitting the valve plate	5. Remove the compressor head and valve plate and inspect for carbon deposits or other foreign matter on top of piston. Replace head and valve plate using new gasket. See Lubrication section for recommended oil.
	6. Noisy check valve in compressor system	6. Replace.

**⚠ DANGER** *Do not disassemble check valve with air pressure in tank*

**Troubleshooting Chart (Continued)**

Symptom	Possible Cause(s)	Corrective Action
<p>Large quantity of oil in the discharge air</p> <p><b>NOTE:</b> In an oil lubricated compressor there will always be a small amount of oil in the air stream.</p>	<ol style="list-style-type: none"> <li>1. Worn piston rings</li> <li>2. Compressor air intake restricted</li> <li>3. Excessive oil in compressor</li> <li>4. Wrong oil viscosity</li> </ol>	<ol style="list-style-type: none"> <li>1. Replace with new rings. Maintain oil level and change oil more frequently.</li> <li>2. Clean filter. Check for other restrictions in the intake system.</li> <li>3. Drain down to full level.</li> <li>4. Use Mobil 1® 10W-30.</li> </ol>
Water in discharge air / tank	Normal operation. The amount of water increases with humid weather	<ol style="list-style-type: none"> <li>1. Drain tank more often. At least daily.</li> <li>2. Add a filter to reduce the amount of water in the air line.</li> </ol>
Motor hums and runs slowly or not at all	<ol style="list-style-type: none"> <li>1. Use of extension cord</li> <li>2. Malfunctioning check valve or unloader valve</li> <li>3. Low voltage</li> <li>4. Malfunctioning pressure switch - contacts will not close</li> </ol>	<ol style="list-style-type: none"> <li>1. Do not use an extension cord. Use longer air hose with larger diameter.</li> <li>2. Replace check valve, unloader valve or pressure switch. <b>⚠ DANGER Do not disassemble check valve with air pressure in tank</b></li> <li>3. Check with voltmeter, check reset switch on motor. If reset switch trips repeatedly, find and correct the cause. See next item.</li> <li>4. Repair or replace pressure switch.</li> </ol>
Reset mechanism cuts out repeatedly or fuses blow repeatedly	<ol style="list-style-type: none"> <li>1. Too many devices on same circuit</li> <li>2. Incorrect fuse size or circuit breaker</li> <li>3. Malfunctioning check valve</li> <li>4. Pressure switch set too high</li> <li>5. Loose wiring</li> <li>6. Malfunctioning motor</li> </ol>	<ol style="list-style-type: none"> <li>1. Limit the circuit to the use of only the air compressor.</li> <li>2. Be sure that fuses or circuit breakers are rated properly.</li> <li>3. Replace check valve. <b>⚠ DANGER Do not disassemble check valve with air pressure in tank</b></li> <li>4. Adjust or replace.</li> <li>5. Check all electrical connections.</li> <li>6. Replace motor.</li> </ol>
Tank does not hold pressure when compressors off and the shut off valve is closed	<ol style="list-style-type: none"> <li>1. Worn check valve</li> <li>2. Check all connections and fittings for leaks</li> <li>3. Check tank for cracks or pin holes</li> </ol>	<ol style="list-style-type: none"> <li>1. Replace check valve. <b>⚠ DANGER Do not disassemble check valve with air pressure in tank</b></li> <li>2. Tighten.</li> <li>3. Replace tank. Never repair a damaged tank.</li> </ol>
Pressure switch continuously blows air out the unloader valve	Malfunctioning check valve	<p>Replace the check valve if the unloader valve bleeds off constantly.</p> <p><b>⚠ DANGER Do not disassemble check valve with air pressure in tank</b></p>
Pressure switch does not release air when the unit shuts off	Malfunctioning unloader valve on pressure switch	<p>Replace the pressure switch if it does not release the pressure for a short period of time when the unit shuts off.</p> <p><b>⚠ DANGER Do not disassemble check valve with air pressure in tank</b></p>
Excessive vibration	<ol style="list-style-type: none"> <li>1. Loose fasteners</li> <li>2. Belt needs replaced</li> <li>3. Belt alignment</li> </ol>	<ol style="list-style-type: none"> <li>1. Tighten.</li> <li>2. Replace with correct size.</li> <li>3. Align flywheel and pulley.</li> </ol>

## **Limited Warranty**

1. **DURATION:** From the date of purchase by the original purchaser as follows: Three Years or Four Years as indicated on product specification label.
  2. **WHO GIVES THIS WARRANTY (WARRANTOR):** Campbell Hausfeld / Scott Fetzer Company, 100 Production Drive, Harrison, Ohio, 45030, Telephone: (800) 543-6400.
  3. **WHO RECEIVES THIS WARRANTY (PURCHASER):** The original purchaser (other than for purposes of resale) of the Campbell Hausfeld compressor.
  4. **WHAT PRODUCTS ARE COVERED BY THIS WARRANTY:** This Campbell Hausfeld air compressor.
  5. **WHAT IS COVERED UNDER THIS WARRANTY:** Parts and Labor to remedy substantial defects due to material and workmanship during the first year of ownership with the exceptions noted below. Parts only to remedy substantial defects due to material and workmanship during remaining term of coverage with exceptions noted below.
  6. **WHAT IS NOT COVERED UNDER THIS WARRANTY:**
    - A. Implied warranties, including those of merchantability and FITNESS FOR A PARTICULAR PURPOSE ARE LIMITED FROM THE DATE OF ORIGINAL PURCHASE AS STATED IN THE DURATION. If the compressor is used for commercial, industrial or rental purposes, the warranty will apply for ninety (90) days from the date of purchase. Some States do not allow limitations on how long an implied warranty lasts, so the above limitations may not apply to you.
    - B. ANY INCIDENTAL, INDIRECT, OR CONSEQUENTIAL LOSS, DAMAGE, OR EXPENSE THAT MAY RESULT FROM ANY DEFECT, FAILURE, OR MALFUNCTION OF THE CAMPBELL HAUSFELD PRODUCT. Some States do not allow the exclusion or limitations of incidental or consequential damages, so the above limitation or exclusion may not apply to you.
    - C. Any failure that results from an accident, purchaser's abuse, neglect or failure to operate products in accordance with instructions provided in the owner's manual(s) supplied with compressor.
    - D. Pre-delivery service, e.g. assembly, oil or lubricants, and adjustment.
    - E. Items or service that is normally required to maintain the product, e.g. lubricants, filters and gaskets, etc.
    - F. Gasoline engines and components are expressly excluded from coverage under this limited warranty. The Purchaser must comply with the warranty given by the engine manufacturer which is supplied with the product
    - G. Additional items not covered under this warranty:
      1. Excluded items pertaining to All Compressors
        - a. Any component damaged in shipment or any failure caused by installing or operating unit under conditions not in accordance with installation and operation guidelines or damaged by contact with tools or surroundings.
        - b. Pump or valve failure caused by rain, excessive humidity, corrosive environments or other contaminants.
        - c. Cosmetic defects that do not interfere with compressor functionality.
        - d. Rusted tanks, including but not limited to rust due to improper drainage or corrosive environments.
        - e. The following components are considered normal wear items and are not covered after the first year of ownership. Electric motor, check valve, pressure switch, regulator, pressure gauges, hose, tubing, pipe, fittings and couplers, screws, nuts, hardware items, belts, pulleys, flywheel, air filter and housing, gaskets, seals, oil leaks, air leaks, oil consumption or usage, piston rings.
        - f. Tank drain valves.
        - g. Damage due to incorrect voltage or improper wiring.
        - h. Other items not listed but considered general wear parts.
        - i. Pressure switches, air governors, load/unload devices, throttle control devices and safety valves modified from factory settings.
        - j. Damage from inadequate filter maintenance.
        - k. Induction motors operated with electricity produced by a generator.
      2. Excluded items specific to Lubricated Compressors:
        - a. Pump wear or valve damage caused by using oil not specified.
        - b. Pump wear or damage caused by any oil contamination.
        - c. Pump wear or damage caused by failure to follow proper oil maintenance guidelines, operation below proper oil level or operation without oil.
    - H. Labor, service call, or transportation charges after the first year of ownership of stationary compressors. Stationary compressors are defined as not including a handle or wheels.
  7. **RESPONSIBILITIES OF WARRANTOR UNDER THIS WARRANTY:** Repair or replace, at Warrantor's option, compressor or component which is defective, has malfunctioned and/or failed to conform within the duration of the specific warranty period.
  8. **RESPONSIBILITIES OF PURCHASER UNDER THIS WARRANTY:**
    - A. Provide dated proof of purchase and maintenance records.
    - B. Call Campbell Hausfeld (800-543-6400) to obtain your warranty service options. Freight costs must be borne by the purchaser.
    - C. Use reasonable care in the operation and maintenance of the products as described in the owner's manual(s).
    - D. Repairs requiring overtime, weekend rates, or anything beyond the standard manufacturer warranty repair labor reimbursement rate.
    - E. Time required for any security checks, safety training, or similar for service personnel to gain access to facility.
    - F. Location of unit must have adequate clearance for service personnel to perform repairs and easily accessible.
  9. **WHEN WARRANTOR WILL PERFORM REPAIR OR REPLACEMENT UNDER THIS WARRANTY:** Repair or replacement will be scheduled and serviced according to the normal work flow at the servicing location, and depending on the availability of replacement parts.
- This Limited Warranty applies in the U.S., Canada and Mexico only and gives you specific legal rights. You may also have other rights which vary from State to State or country to country.



**Veillez lire et conserver ces instructions. Lire attentivement avant de commencer à assembler, installer, faire fonctionner ou entretenir l'appareil décrit. Protégez-vous et les autres en observant toutes les informations sur la sécurité. Négliger d'appliquer ces instructions peut résulter en des blessures corporelles et/ou en des dommages matériels ! Conserver ces instructions pour références ultérieures.**

# Compresseurs d'Air Portatifs

## Table des matières

Description	9
Déballage	9
Directives de Sécurité	9
Généralités sur la Sécurité	9
Introduction	11
Montage	11
Fonctionnement	13
Entretien	13
Guide de Dépannage	14
Garantie	16

## Description

Les modèles de compresseurs d'air sont conçus pour fournir de l'air comprimé aux outils pneumatiques et pour faire fonctionner les pistolets vaporisateurs. Les pompes fournies sont graissées à l'huile. Un peu d'huile résiduelle est présent dans le débit d'air comprimé. Installer les filtres appropriés pour les applications qui requièrent de l'air libre d'huile ou d'eau. Le compresseur d'air doit être monté selon les instructions, sur un plancher solide. Autres usages de ces modèles nieront la garantie et le fabricant ne sera pas responsable pour les problèmes ou dommages résultant de l'usage incorrect.

## Déballage

Dès que l'appareil est déballé, l'inspecter attentivement pour tout signe de dommages en transit. S'assurer de resserrer tous les raccords, boulons, etc. avant de le mettre en service.

**LIRE ET SUIVRE TOUTES LES INSTRUCTIONS  
CONSERVER CES INSTRUCTIONS  
NE PAS JETER**

## Directives de Sécurité

Ce manuel contient de l'information très importante qui est fournie pour la SÉCURITÉ et pour ÉVITER LES PROBLÈMES D'ÉQUIPEMENT. Rechercher les symboles suivants pour cette information.

**▲ DANGER** *Danger indique une situation dangereuse imminente qui MÈNERA à la mort ou à des blessures graves si elle n'est pas évitée.*

**▲ AVERTISSEMENT** *Avertissement indique une situation potentiellement dangereuse qui, si elle n'est pas évitée, POURRAIT mener à la mort ou à de graves blessures.*

**▲ ATTENTION** *Attention indique une situation potentiellement dangereuse qui, si elle n'est pas évitée, PEUT mener à des blessures mineures ou modérées.*

**AVIS** *Avis indique de l'information importante qui pourrait endommager l'équipement si elle n'est pas respectée.*

**REMARQUE:** L'information qui exige une attention spéciale.

## Généralités sur la Sécurité PROPOSITION 65 DE CALIFORNIE

**▲ AVERTISSEMENT** *Ce produit ou son cordon peuvent contenir des produits chimiques qui, de l'avis de l'État de Californie, causent le cancer et des anomalies congénitales ou autres problèmes de reproduction. Lavez-vous les mains après la manipulation.*

**▲ AVERTISSEMENT** *Vous pouvez créer de la poussière en coupant, ponçant, perçant ou meulant les matériaux tels que le bois, la peinture, le métal, le béton, le ciment ou autre maçonnerie. Cette poussière contient souvent des*



## ▲ DANGER

### Avertissement D'Air Respirable

**Ce compresseur/pompe n'est pas équipé pour et ne devrait pas être utilisé "comme soi" pour fournir de l'air respirable. En cas d'applications d'air pour la consommation humaine, le compresseur d'air/pompe doit être équipé avec de l'équipement de sécurité en canalisation et d'alarme. Cet équipement additionnel est nécessaire pour filtrer et purifier l'air afin d'atteindre les spécifications minimales pour la respiration Grade D décrites dans le Compressed Gas Association Commodity Specification G 7.1 - 1966, OSHA 29 CFR 1910.134, et/ou Canadian Standards Associations (CSA).**

**DÉNÉGATION DES GARANTIES**  
Si le compresseur est utilisé pour les applications d'air respirable et l'équipement de sécurité en canalisation et d'alarme n'est pas utilisé simultanément, les garanties en existence seront annulées, et le fabricant nie toute responsabilité pour n'importe quelle perte, blessure ou dommage.


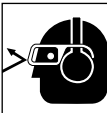
*produits chimiques reconnus pour causer le cancer, les déformations congénitales ou autres problèmes de la reproduction. Porter de l'équipement de protection.*


**MÉMENTO:** Gardez votre preuve datée d'achat à fin de la garantie!  
Joignez-la à ce manuel ou classez-la dans un dossier pour plus de sécurité.

## Généralités sur la Sécurité (Suite)

### GÉNÉRALITÉS SUR LA SÉCURITÉ

Puisque le compresseur d'air et les autres pièces détachées (pompe, pistolets, filtres, graisseurs, tuyaux, etc.) font partie d'un système de haute pression, il est nécessaire de suivre les précautions suivantes:

1. Lire attentivement tous manuels compris avec ce produit. Se familiariser avec ce produit, ses commandes et son utilisation. 
2. Suivre tous les codes de sécurité et d'électricité locaux ainsi que les codes des É-U; National Electrical Codes (NEC) et Occupational Safety and Health Act (OSHA).
3. Seules les personnes bien familiarisées avec ces règlements d'utilisation doivent être autorisées à se servir du compresseur.
4. Garder les visiteurs à l'écart de/et NE JAMAIS permettre les enfants dans l'endroit de travail.
5. Utiliser des lunettes de sécurité et la protection auditive pendant l'utilisation du modèle. 
6. Ne pas se tenir debout sur/ni utiliser le modèle comme une prise à main.
7. Inspecter le système d'air comprimé et pièces détachées électriques pour toute indication de dommage, détérioration, faiblesse ou fuites avant chaque utilisation. Réparer ou remplacer toutes pièces défectueuses avant l'utilisation.
8. Inspecter le degré de serrage de toutes les attaches par intervalles régulières.

**AVERTISSEMENT** Les moteurs, l'équipement et les commandes électriques peuvent causer des arcs électriques qui peuvent allumer un gaz ou une vapeur inflammable. Ne jamais utiliser ou réparer le modèle près d'un gaz ou d'une vapeur inflammable. Ne jamais entreposer les liquides ou gaz inflammables près du compresseur. 

**AVERTISSEMENT** Ne jamais utiliser un compresseur sans carter de courroie. Ce modèle peut se démarrer sans avis. 

*Le contact avec les pièces mobiles peut causer des blessures personnelles ou dégâts matériels.*

9. Ne pas porter des vêtements flottants ni des bijoux qui peuvent se prendre dans les pièces mobiles du modèle.

**ATTENTION** Les pièces du compresseur peuvent être chaudes même si le modèle est hors circuit. 


10. Garder les doigts à l'écart du compresseur; les pièces mobiles et chaudes peuvent causer des blessures et/ou des brûlures.
11. Si l'équipement vibre anormalement, ARRÊTER le moteur et l'inspecter immédiatement. La vibration est généralement une indication d'un problème.
12. Pour réduire le risque d'incendie, garder l'extérieur du moteur libre d'huile, de solvants et de graisse excessive.

**AVERTISSEMENT** Une soupape de sûreté ASME avec une classification qui ne dépasse pas 1207 kPa doit être installée dans le réservoir de ce compresseur. La soupape de sûreté ASME doit avoir un débit d'air et une classification de pression suffisants pour protéger les pièces pressurisées contre l'éclatement.

**ATTENTION** Voir la décalcomanie de spécifications sur le compresseur pour retrouver la pression de service maximum. Ne pas faire fonctionner avec un manostat ou soupapes pilotes réglés au delà de la pression de fonctionnement maximum.

13. Ne jamais essayer de régler la soupape de sûreté ASME. Garder la soupape de sûreté libre de peinture et autres accumulations.

**AVERTISSEMENT** Ne jamais utiliser les tuyaux plastiques (CPV) pour l'air comprimé. Ceci peut causer des blessures graves ou la mort.


**DANGER** Ne jamais essayer de réparer ni de modifier un réservoir! Le soudage, perçage ou autre modifications peuvent affaiblir le réservoir et peuvent résulter en dommage de rupture ou d'explosion. Toujours remplacer un réservoir usé, fendu ou endommagé. 


### AVIS

*Purger le liquide du réservoir quotidiennement.*

14. L'accumulation d'humidité cause la rouille qui peut affaiblir le réservoir. Purger le réservoir régulièrement et l'inspecter périodiquement pour la rouille et la corrosion ou autres conditions dangereuses.
15. L'air mouvante peut agiter la poussière et le débris qui peut être dangereux. Dissiper l'air lentement en purgeant l'humidité ou pendant la dépressurisation du système de compresseur.

### PRÉCAUTIONS DE PULVÉRISATION

**AVERTISSEMENT** Ne pas pulvériser des matériaux inflammables près d'une flamme ni près d'une source d'ignition y inclus le compresseur. 

16. Ne pas fumer pendant la pulvérisation de peinture, d'insecticides ou d'autres substances inflammables.
17. Utiliser un masque / respirateur pendant la pulvérisation et pulvériser dans un endroit bien ventilé pour éviter les dangers de santé et d'incendie. 
18. Ne pas pulvériser vers le compresseur. Situer le compresseur aussi loin que possible de l'endroit de pulvérisation pour minimiser l'accumulation de surpulvérisation sur le compresseur.
19. Pour pulvériser ou nettoyer avec des solvants ou produits chimiques toxiques, suivre les instructions fournies par le fabricant du produit chimique.

### Introduction

Se référer à la Figure 1.

**Manostat** - Interrupteur Auto/OFF - Dans la position AUTO, le compresseur se coupe automatiquement quand la pression du réservoir atteint la pression maximum réglée d'avance. Une fois que l'air est usé du réservoir et baisse à une niveau réglé d'avance, le manostat remet le moteur en marche (on) automatiquement. Dans la position OFF, le compresseur ne fonctionnera pas. Cet interrupteur devrait être dans la position OFF pendant le branchement ou le débranchement du cordon d'alimentation de la prise de courant.

Lorsque le manostat coupe le moteur (off), vous entendrez de l'air qui s'échappe de la soupape de décharge du manostat pendant un peu de temps. Ceci relâche la pression d'air du tuyau de décharge et permet que le compresseur se remet en marche plus facilement.

**Régulateur** - Le régulateur contrôle la quantité de pression d'air échappée à la sortie de tuyau.

**Soupape de Sûreté ASME -**

Cette soupape laisse échapper l'air automatiquement si la pression du réservoir dépasse la pression maximum réglée d'avance.

**Tuyau de Décharge** - Ce tuyau transporte l'air comprimé de la pompe au clapet. Ce tuyau devient très chaud pendant son utilisation. Ne jamais toucher le tuyau de décharge afin d'éviter des brûlures sévères.

**⚠ AVERTISSEMENT** *Pour éviter le risque de brûlures graves, ne jamais toucher le tuyau de décharge.*

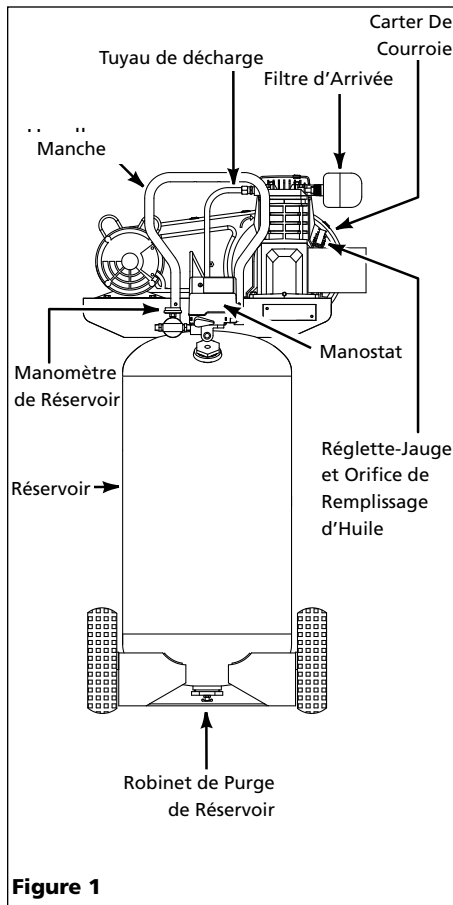


Figure 1

**Clapet** - Une soupape à sens unique qui permet à l'air d'entrer le réservoir mais qui empêche que l'air du réservoir retourne dans la pompe du compresseur.

**Manche** - Conçue pour le déplacement du compresseur.

**⚠ AVERTISSEMENT** *Ne jamais utiliser la manche pour soulever le modèle du plancher. Le manche est conçu seulement pour pousser ou tirer le produit.*

**Carter de Courroie** - Couvre la courroie, la poulie de moteur et le volant.

**⚠ AVERTISSEMENT** *Ne jamais utiliser le compresseur sans un carter de courroie. Ce modèle peut se démarrer sans avis. Le contact avec les pièces mobiles peut causer des blessures graves ou le dégât matériel.*



**Robinet de Purge de Réservoir** - Cette soupape est située au fond du réservoir. Utiliser cette soupape pour purger l'humidité du réservoir quotidiennement afin de réduire le risque de corrosion.

Réduire la pression du réservoir sous 68,95 kPa avant d'ouvrir le robinet de vidange.

**Manomètre de Réservoir** - Indique la pression d'air présente dans le réservoir.

**Manomètre de Tuyau d'Air** - Indique la quantité de pression d'air dans le tuyau utilisé pour actionner les outils. Cette pression est augmentée ou diminuée avec le régulateur.

**Montage**

**MONTAGE DE MANCHE** - La manche peut être pré-assemblée sur certains appareils.

Introduire quatre vis de manche à travers les trous dans la manche et serrer à la plaque de base (Voir Figure 2).

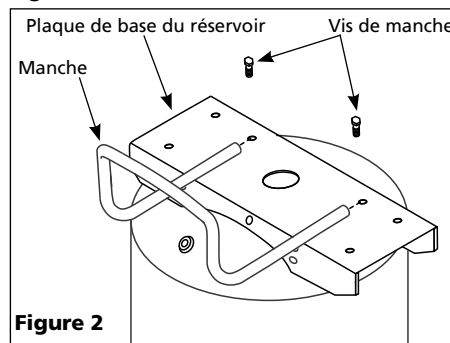


Figure 2

**MONTAGE DE PIED**

Les articles indiqués d'un astérisque (\*) sont livrés dégagés, avec le modèle (Voir Figure 3).

1. Incliner le modèle afin de permettre l'accès au pied avant et le stabiliser avec sûreté afin d'assurer que le modèle ne bascule pas.
2. Introduire le boulon à travers le pied et le support. Le pied devrait être situé sur le côté plus bas du support.
3. Fixer avec sûreté avec l'écrou de blocage. Répéter au sens opposé.

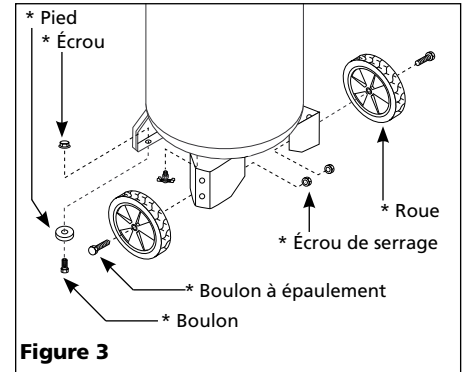


Figure 3

**INSTALLATION DU RENIFLARD**

Retirer le bouchon de l'orifice de remplissage d'huile. Installer le reniflard (qui se trouve dans le sachet de pièces avec ce manuel). Voir la Figure 4.

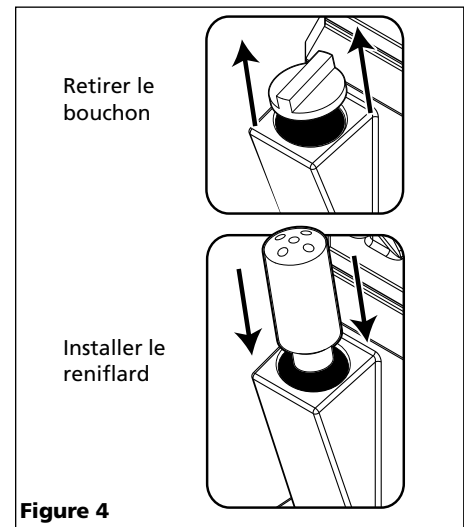


Figure 4

**GRAISSAGE**

**⚠ ATTENTION** *VÉRIFIER LE NIVEAU D'HUILE. CERTAINS UNITÉS INCLUENT L'HUILE. Suivre les instructions de graissage avant de faire fonctionner le compresseur.*

## Montage (Suite)

Vérifier que la rallonge pour le drainage de l'huile et le bouchon ont été installés (si inclus) puis quitter le reniflard (voir la Figure 5) et remplir avec l'huile de la pompe selon le tableau.

Pompe	Capacité d'huile approx.
VS260000KB	0,18 L
VT470000KB	0,25 L
VT480000KB	0,25 L

Voir l'étiquette des caractéristiques sur le réservoir pour le numéro de modèle de la pompe et se reporter au tableau pour la bonne capacité d'huile.

## PROLONGEMENT DE VIDANGE D'HUILE

Quelques modèles ont un prolongement de vidange d'huile et un bouchon (situé avec le manuel d'utilisation). Installer le prolongement de vidange d'huile et le bouchon avant d'ajouter l'huile à la pompe. Pour éviter des fuites, l'utilisation du ruban d'étanchéité ou du mastic en pâte sur les filets aux deux extrémités du prolongement de vidange est recommandé. Visser le bouchon sur un bout du prolongement. Enlever le bouchon de vidange d'huile de la base de la pompe et installer le prolongement de vidange d'huile (Voir Figure 5).

## HUILE

Utiliser l'huile pour compresseur d'air industrielle SAE 30 ou l'huile complètement synthétique pour moteurs telle que Mobil 1 10W-30. Ne pas utiliser l'huile pour automobile ordinaire telle que

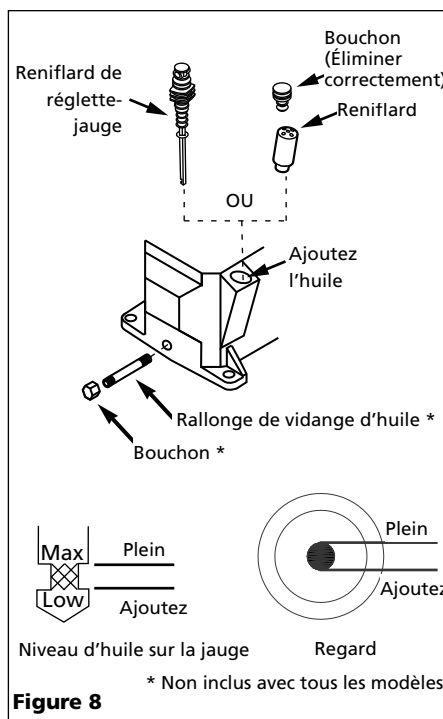
10W-30. Les additifs dans l'huile de moteur peuvent causer de l'encrassement dans les soupapes et peuvent diminuer la vie de la pompe. Pour assurer la durée maximum de la pompe, purger et remplacer l'huile après la première heure de fonctionnement. Le niveau d'huile correct est illustré dans la Figure 5.

Pour les pompes dotées d'un regard d'huile, on peut vérifier et maintenir le niveau d'huile comme indiqué dans la Figure 5.

## DONNÉES ÉLECTRIQUES

### ⚠ ATTENTION

L'installation de fils insuffisante peut causer le



## surchauffage, court-circuit et dommage d'incendie.

N'utilisez pas un cordon d'extension, utilisez un tuyau à air plus long.

Les modèles de 120 volts, 15 A peuvent fonctionner sur un circuit de 120 volts 15 A sous les conditions suivantes:

1. Aucun autre appareil électrique ou lumière soit connecté au même branchement.
2. Le voltage est de 120 volts.
3. Le circuit est équipé d'un disjoncteur de 15 A ou une fusée à retardement sauté en T (Pour le Canada utiliser Type D).
4. La longueur du câble de cuivre entre la prise et le disjoncteur ne dépasse pas les 12 m (40 pi) AWG 14, ou 21 m (70 pi) AWG 12.

S'il n'est pas possible d'atteindre les conditions ci-dessus ou s'il y a un déclenchement du protecteur de courant à maintes reprises, il peut être nécessaire de faire fonctionner le compresseur sur un circuit de 120 volts, 20 ampères. Voir la Figure 6.

Vérifier la compatibilité avec 240 volts sur la plaque de données du moteur. L'unité de 240 volts doit travailler sur un circuit de 240 volts. La câble doit être branché seulement dans une prise de 240 volts mise à la terre et pourrait exiger un nouveau câble et fiche. Voir la Figure 7.

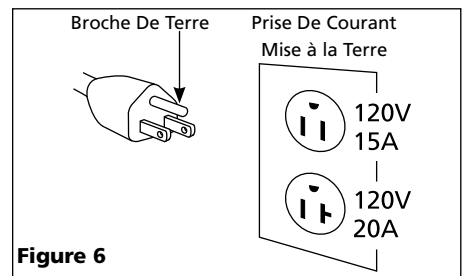


Figure 6

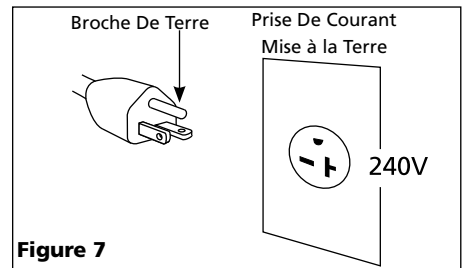


Figure 7

## INSTRUCTIONS DE MISE À LA TERRE

Ce produit doit être mis à la terre. Dans le cas d'un court-circuit, la mise à la terre diminue le risque de secousse électrique en fournissant un fil d'échappement pour le courant électrique. Ce produit est équipé d'un cordon qui a un fil de terre avec une fiche de terre appropriée. La fiche doit être branchée dans une prise de courant installée et mise à la terre correctement, conformément à tous les codes et ordonnances locaux.

### ⚠ AVERTISSEMENT

Une mauvaise installation de la fiche de terre peut créer des risques de chocs électriques. En cas de réparation ou remplacement du cordon ou de la fiche, ne pas connecter le fil de terre à ni une ni l'autre borne plate. Le fil avec l'isolation à surface externe verte, avec ou sans lignes jaunes, est le fil de terre.



N'utilisez pas d'adaptateur de mise à la terre.

Si vous ne comprenez pas les instructions pour la mise à la terre ou si vous n'êtes pas certains si le produit est mis à la terre correctement, vérifiez avec un électricien ou une personne qualifiée. Ne pas modifier la fiche fournie; si elle n'entre pas correctement dans la prise, faire installer une prise convenable par un électricien qualifié.

Ce produit est conçu pour l'utilisation sur un circuit de 120 volts nominales et a une fiche de mise à la terre comme celle indiquée sur la Figure 6. Brancher ce produit seulement à une prise avec la même configuration de la fiche. Ne pas utiliser un adaptateur avec ce produit.

## Montage (Suite)

### ⚠ AVERTISSEMENT

*transformation à une tension alternative, s'assurer que le fil de mise à la terre vert du cordon soit branché à la broche de terre de la fiche et au corps métallique du manostat.*

## Functionnement

### DÉMARRAGE

#### AVIS

*Cette pompe pour compresseur doit être remplie d'huile avant le démarrage. Se référer à la section de Graissage.*

### ⚠ ATTENTION

*Ne pas brancher les outils pneumatiques au bout ouvert du tuyau avant que le démarrage soit complet et que le modèle fonctionne correctement.*

### ⚠ AVERTISSEMENT

*Ne jamais débrancher les raccords filetés si le réservoir est pressurisé!*

1. Enlever la réglette-jauge du reniflard et remplir la pompe au niveau correct. Voir la section de Graissage.
2. Ouvrir le robinet de purge du réservoir.
3. Tournez le levier ou le bouton du manostat à la position OFF (ARRÊT) et branchez le cordon d'alimentation.
4. Tournez le levier ou le bouton du manostat à la position AUTO et faites fonctionner l'appareil pendant 30 minutes pour roder les pièces de la pompe (reportez-vous à la Figure 8).
5. Tourner le bouton du régulateur complètement au sens contraire des aiguilles d'une montre. Le compresseur fonctionnera jusqu'à la pression maximale réglée d'avance et s'arrêtera.

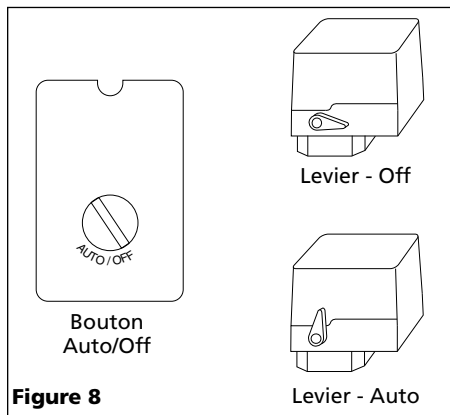


Figure 8

6. Tourner le bouton du régulateur au sens des aiguilles d'une montre pour purger l'air. Le compresseur se remettra en marche à la pression réglée d'avance.
7. Tourner le levier ou bouton du manostat à la position OFF et débrancher le cordon d'alimentation. Tourner le bouton du régulateur lentement dans le sens des aiguilles d'une montre afin de dissiper toute la pression d'air. Ne pas procéder à l'étape suivante jusqu'à ce que la pression du réservoir est à zéro (0).
8. Brancher le tuyau, et ensuite fixer un mandrin ou un autre outil au bout ouvert du tuyau. Brancher le cordon d'alimentation. Tourner le levier du manostat à la position AUTO. Une fois que le modèle soit pressurisé, tourner le bouton du régulateur dans le sens des aiguilles d'une montre afin d'atteindre la pression de sortie désirée.
9. Après avoir utilisé l'appareil, tournez le levier ou le bouton du manostat à la position OFF (arrêt).
10. Si le compresseur sera hors usage pendant longtemps, purger l'air des canalisations et purger l'humidité du réservoir avec le robinet de purge. Ensuite suivre l'horaire d'entretien.

**REMARQUE:** Les modèles électriques sont équipé d'un manostat qui coupe le moteur (OFF) automatiquement quand la pression du réservoir atteint un niveau réglé d'avance. Une fois que l'air soit utilisé dans le réservoir et que la pression du réservoir atteint un niveau bas réglé d'avance, le manostat met le moteur en marche automatiquement.

## Entretien

### ⚠ AVERTISSEMENT

*Débrancher, étiquetter et verrouiller la source de puissance et dissiper la pression du système avant de monter, réparer, déplacer ou de procéder à l'entretien du modèle.*



Toutes réparations doivent être effectuées par un représentant de service autorisé.

### POUR LE FONCTIONNEMENT EFFICACE:

Faire l'essai de la soupape de sûreté chaque semaine pour s'assurer qu'elle fonctionne librement et respecter l'horaire d'entretien.

1. Tirer sur l'anneau de la soupape de sûreté et la laisser revenir à sa position normale (voir Figure 9). Cette soupape relâche l'air automatiquement lorsque la pression du réservoir dépasse le maximum réglé d'avance.

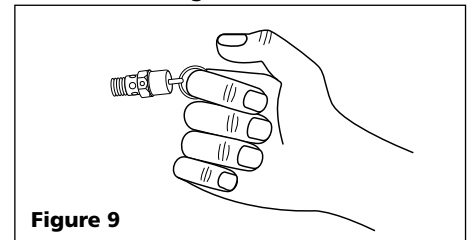


Figure 9

### ⚠ DANGER

*Ne pas trifouiller avec cette soupape. Vérifier cette soupape de temps en temps. S'il y a des fuites d'air après que l'anneau soit relâché, ou si la soupape est prise et ne peut pas être actionnée par l'anneau, la soupape de sûreté doit être remplacée.*

### ⚠ ATTENTION

*Une large quantité d'air sera relâchée rapidement si cette soupape est actionnée lorsque le réservoir est pressurisé. Une large quantité d'air sera relâchée rapidement si cette soupape*

### HUMIDITÉ DANS L'AIR COMPRIMÉ

L'humidité dans l'air comprimé forme des gouttelettes en arrivant de la pompe du compresseur d'air. Si l'humidité est élevée, ou si le compresseur est utilisé continuellement, cette humidité s'accumulera dans le réservoir. Pendant l'utilisation d'un pistolet à peinture ou d'un pistolet pour le décapage au sable, cette eau sera transportée du réservoir par moyen du tuyau, et en forme de gouttelettes, mélangée avec le matériel utilisé.

**IMPORTANT:** Cette condensation peut causer des taches d'eau sur votre travail de peinture, surtout pendant la pulvérisation de peinture qui n'est pas à base d'eau. Pendant le décapage au sable, cette eau servira à tenir le sable ensemble et causera une obstruction dans le pistolet.

Un filtre à air en canalisation situé aussi près du pistolet que possible aidera à éliminer cette humidité.

## Entretien (Suite)

*est actionnée lorsque le réservoir est pressurisé.*

2. Avec le moteur dans la position OFF et débranché, nettoyer le débris du moteur, du volant, du réservoir, des canalisations d'air et des ailettes de refroidissement de la pompe.

### SERVICE TECHNIQUE

Pour des informations concernant le fonctionnement ou la réparation de ce produit, composer le 1-800-543-6400.

## Entreposage

1. Lorsque hors d'usage, le tuyau et le compresseur devraient être entreposés dans un endroit frais et sec.
2. Purger l'humidité du/des réservoir(s). Débrancher le tuyau et l'accrocher avec les bouts ouverts faisant face en bas pour que l'humidité se purge.

HORAIRE D'ENTRETIEN				
OPÉRATION	QUOTIDIEN	HEBDOMADAIRE	MENSUEL	3 MOIS
Vérifier le niveau d'huile	●			
Purger le réservoir	●			
Vérifier le filtre à air		●		
Vérifier la soupape de sûreté		●		
Nettoyer le modèle			●	
Vérifier le serrage des courroies			●	
Changer l'huile				●

3. Protéger le cordon électrique contre le dommage en le tortillant sans serrer autour de la manche du modèle ou en le roulant.

EXIGENCE DE COUPLE (kg-cm)		
Modèle	Boulons de tête de compresseur	Boulons de chapeau de palier
VS	115-144	58-138
VT	259-346	58-138

## Guide De Dépannage

Symptom	Possible Cause(s)	Corrective Action
Pression de décharge basse	1. Demande d'air dépasse la capacité de la pompe	1. Diminuer la demande d'air ou utiliser un compresseur de plus haute capacité.
	2. Fuites d'air	2. Écouter pour des fuites d'air. Appliquer une solution savonneuse à tous les raccords et branchements et vérifier pour des bulles qui indiquent des fuites. Serrer ou remplacer les raccords ou branchements qui ont des fuites.
	3. Arrivée d'air limitée	3. Nettoyer la cartouche filtrante.
	4. Joints éclatés	4. Remplacer tous joints défectueux.
	5. Fuites ou dommage aux soupapes	5. Enlever la culasse et inspecter pour des soupapes cassées, soupapes mal dressées, sièges de soupapes endommagés, etc. Remplacer toutes les pièces défectueuses et remonter.
<b>▲ ATTENTION</b> <i>Installer un nouveau joint d'étanchéité de culasse chaque fois que la culasse est enlevée</i>		
Le filtre à air fond à cause du surchauffage de la pompe	1. Joint isolant entre le filtre et la culasse manquant	1. Installer un joint d'étanchéité.
	2. Soupape cassée/joint éclaté	2. Remplacer les soupapes ou installer un nouveau joint d'étanchéité.
Bruit excessif (cognement)	1. Moteur ou poulie de compresseur dégagé	1. Poulies de moteur et de compresseur dégagés sont causes communes de cognement. Serrer les boulons de serrage et vis de pression de poulie.
	2. Manque d'huile dans le carter	2. Vérifier le niveau d'huile; si bas, inspecter les paliers pour du dommage. L'huile sale peut causer l'usure excessif.
	3. Bielle usée	3. Remplacer la bielle. Entretenir le niveau d'huile et changer l'huile plus souvent.
	4. Alésages d'axe de piston usés	4. Enlever le piston équipé du compresseur et l'inspecter pour l'usure excessif. Remplacer les axes de piston ou pistons usés au besoin. Entretenir le niveau d'huile correct et changer l'huile plus souvent.
	5. Piston frappe la plaque de soupape	5. Enlever la tête du compresseur et la plaque de soupape et inspecter pour de l'encrassement charbonneux ou autre matières étrangères sur la partie supérieure du piston. Remplacer la culasse et la plaque de soupape et utiliser un nouveau joint d'étanchéité. Voir la section de Graissage pour l'huile recommandée.

## Guide De Dépannage (Suite)

Symptom	Possible Cause(s)	Corrective Action
Bruit excessif (cognement) (Suite)	6. Clapet bruyant dans le système de compresseur	6. Remplacer. <b>⚠ DANGER</b> <i>Ne pas démonter le clapet si le réservoir est pressurisé</i>
Large quantité d'huile dans l'air de décharge <b>REMARQUE:</b> Il y aura toujours un peu d'huile dans le jet d'air avec un compresseur graissé par l'huile	1. Segments de piston usés 2. Arrivée d'air du compresseur limitée 3. Huile excessive dans le compresseur 4. Viscosité d'huile incorrecte	1. Remplacer les segments de piston. Entretenir le niveau d'huile correct et changer l'huile plus souvent. 2. Nettoyer le filtre. Vérifier le système d'arrivée pour autres restrictions. 3. Vidanger jusqu'au niveau plein. 4. Utiliser l'huile Mobil 1® 10W-30.
Eau dans l'air de débit/réservoir	Fonctionnement normal. La quantité d'eau augmente avec le temps humide	1. Purger le réservoir plus souvent, au moins quotidiennement. 2. Ajouter un filtre pour diminuer la quantité d'eau dans la canalisation d'air.
Le moteur ronronne et fonctionne lentement ou pas du tout	1. Cordon prolongateur utilisé 2. Fonctionnement défectueux du clapet ou de la soupape de déchargement 3. Basse tension 4. Panne de manostat - contacts ne ferment pas	1. N'utilisez pas un cordon prolongateur. Utilisez un tuyau d'air plus long avec un diamètre plus large. 2. Remplacer le clapet, la soupape de déchargement ou le manostat. <b>⚠ DANGER</b> <i>Ne pas démonter le clapet si le réservoir est pressurisé</i> 3. Vérifier avec un voltmètre, inspecter le disjoncteur de réenclenchement du moteur. Si le disjoncteur de réenclenchement se déclenche à maintes reprises, rechercher et corriger la cause. Voir l'article suivant. 4. Réparer ou remplacer le manostat.
Le mécanisme de réenclenchement se déclenche à maintes reprises ou les fusibles sautent à maintes reprises	1. Trop d'appareils sur le même circuit 2. Taille de fusible ou de disjoncteur incorrecte 3. Fonctionnement défectueux du clapet 4. Manostat réglé trop haut 5. Fils desserrés 6. Fonctionnement défectueux du moteur	1. Limiter l'usage du circuit au compresseur d'air seulement. 2. Vérifier la classification des fusibles et des disjoncteurs. 3. Remplacer le clapet. <b>⚠ DANGER</b> <i>Ne pas démonter le clapet si le réservoir est pressurisé</i> 4. Régler ou remplacer. 5. Inspecter tous les branchements électriques. 6. Remplacer le moteur.
Le réservoir ne conserve pas la pression quand le compresseur est hors circuit et la soupape d'arrêt est fermée	1. Clapet usé 2. Inspecter tous branchements et raccordements pour des fuites 3. Inspecter le réservoir pour des fentes ou des trous d'épingles	1. Remplacer le clapet. <b>⚠ DANGER</b> <i>Ne pas démonter le clapet si le réservoir est pressurisé</i> 2. Serrer. 3. Remplacer le réservoir. Ne jamais réparer un réservoir endommagé.
Le manostat laisse souffler de l'air continuellement à travers de la soupape de déchargement	Fonctionnement défectueux du clapet	Remplacer le clapet si la soupape de déchargement a une fuite d'air continue. <b>⚠ DANGER</b> <i>Ne pas démonter le clapet si le réservoir est pressurisé</i>
Le manostat ne relâche pas l'air lorsque le modèle se coupe (OFF)	Fonctionnement défectueux de la soupape de déchargement sur le manostat	Remplacer le manostat si la pression n'est pas dissipé pendant une courte durée quand le modèle se coupe. <b>⚠ DANGER</b> <i>Ne pas démonter le clapet si le réservoir est pressurisé</i>
Vibration excessive	1. Attaches desserrés 2. Changement de la courroie exigé 3. Redressage de la courroie	1. Serrer. 2. Remplacer avec une courroie de taille correcte. 3. Aligner le volant et la poulie.



## **Garantie Limitée**

1. DURÉE: À partir de la date d'achat par l'acheteur original comme suit : Trois Ans ou Quatre Ans comme indiqué sur l'étiquette de caractéristiques du produit.
2. GARANTIE ACCORDÉE PAR (GARANT) :  
Campbell Hausfeld/Scott Fetzer Company, 100 Production Drive, Harrison, Ohio, 45030, Téléphone: (800) 543-6400.
3. BÉNÉFICIAIRE DE CETTE GARANTIE (ACHETEUR) : L'acheteur original (sauf en cas de revente) du produit Campbell Hausfeld.
4. PRODUITS COUVERTS PAR CETTE GARANTIE : Cette compresseur d'air Campbell Hausfeld.
5. COUVERTURE DE LA PRÉSENTE GARANTIE : Pièces et Main d'œuvre pour remédier à de défauts importants causés par matériau et main d'œuvre pendant la première année de possession avec les exceptions indiquées ci-dessous. Pièces seulement pour remédier à de défauts importants causés par matériau et main d'œuvre pendant le temps restant de la couverture avec les exceptions indiquées ci-dessous.
6. LA PRÉSENTE GARANTIE NE COUVRE PAS :
  - A. Les garanties implicites, y compris celles de commercialisation et D'ADAPTATION À UNE FONCTION PARTICULIÈRE SONT LIMITÉES À PARTIR DE LA DATE D'ACHAT INITIALE TELLE QU'INDIQUÉE DANS LA SECTION DURÉE. Si le compresseur d'air est utilisé pour une fonction commerciale, industrielle ou pour la location, la durée de la garantie sera quatre-vingt-dix (90) jours de la date d'achat. Certaines Provinces (États) n'autorisent pas de limitations de durée pour les garanties implicites, donc les limitations précédentes peuvent donc ne pas s'appliquer.
  - B. TOUT DOMMAGE, PERTE OU DÉPENSE FORTUIT OU INDIRECT POUVANT RÉSULTER DE TOUT DÉFAUT, PANNE OU MAUVAIS FONCTIONNEMENT DU PRODUIT CAMPBELL HAUSFELD. Quelques Provinces (États) n'autorisent pas l'exclusion ni la limitation des dommages fortuits ou indirects. La limitation ou l'exclusion précédente peut donc ne pas s'appliquer.
  - C. Toute panne résultant d'un accident, d'une utilisation abusive, de la négligence ou d'une utilisation ne respectant pas les instructions données dans le(s) manuel(s) accompagnant le produit.
  - D. Service avant livraison; le montage, l'huile ou la graisse et les réglages par exemple.
  - E. Articles ou services qui sont exigés pour l'entretien normal du produit; graisses, filtres et joints d'étanchéité par exemple.
  - F. Les moteurs à essence et les pièces détachées sont expressément exclus de cette garantie limitée. L'acheteur doit observer la garantie du fabricant de moteur qui est fournie avec le produit.
  - G. Articles supplémentaires qui ne sont pas couverts sous cette garantie :
    1. Articles exclus relatifs à Tous les Compresseurs
      - a. Toutes pièces détachées endommagées pendant l'expédition, n'importe quelle panne causée par un montage ou fonctionnement du modèle sous des conditions qui ne se conforment pas aux directives de montage et de fonctionnement ou dommage causé par le contact avec les outils ou les alentours.
      - b. La défaillance de la pompe ou de la soupape causée par la pluie, l'humidité excessive, un environnement corrosif ou autres polluants.
      - c. Les défauts de forme qui n'ont pas d'effet sur le fonctionnement du compresseur.
      - d. Les réservoirs rouillés, y compris mais sans s'y limiter à la rouille causée par la vidange incorrecte ou par un environnement corrosif.
      - e. Les composants suivants sont considérés comme des articles sujets à l'usure normale et ne sont pas couverts après le premier an de possession. Moteur électrique, soupape de retenue, interrupteur de pression, régulateur, manomètres, tuyaux, tubes, raccords, vis, écrous, articles de quincaillerie, courroies, poulies, volant, filtre d'air et boîtier, joints d'étanchéité, fuites d'air et d'huile, consommation ou usage d'huile, anneaux de piston.
      - f. Robinets de vidange.
      - g. Dommage dû à la tension ou installation de fils incorrecte.
      - h. Autres articles non indiqués mais considérés pièces d'usure générale.
      - i. Manostats, régulateurs d'air et soupapes de sûreté qui ont été modifiés d'après les réglages de l'usine.
      - j. Dommage causé par l'entretien insuffisant du filtre.
      - k. Moteurs à induction utilisant l'électricité produite par un générateur.
    2. Compresseurs Graissés
      - a. Usure de la pompe ou dommage aux soupapes causé par l'utilisation d'huile non-spécifiée.
      - b. Usure de la pompe ou dommage aux soupapes causé par toute contamination d'huile ou par le manque de suivre les directives d'entretien d'huile.
      - c. Usure ou dommage de la pompe causé par le manque de suivre les directives d'entretien d'huile, fonctionnement avec le niveau d'huile au dessous du bon niveau ou fonctionnement sans huile.
  - H. Main d'œuvre, appel de service, ou frais de transport après le premier an de possession de compresseurs stationnaires. Les compresseurs stationnaires sont identifiés par l'absence de manchon ou de roues.
7. RESPONSABILITÉS DU GARANT AUX TERMES DE CETTE GARANTIE : Réparation ou remplacement, au choix du Garant, de produits ou composants défectueux, ont connu une défaillance ou qui ne sont pas conformes pendant la durée précise de validité de la garantie.
8. RESPONSABILITÉS DE L'ACHETEUR AUX TERMES DE CETTE GARANTIE :
  - A. Fournir une preuve d'achat datée et un état d'entretien.
  - B. Appelez Campbell Hausfeld (800-543-6400) pour obtenir vos options de service sous garantie. Les frais de transport sont la responsabilité de l'acheteur.
  - C. Utilisation et entretien du produit avec un soin raisonnable, ainsi que le décri(vent)t le(s) manuel(s) d'utilisation.
  - D. Réparations qui exigent de temps additionnel, taux de charge de fin de semaine, ou tout problème au-delà du taux normal de remboursement par main d'œuvre de réparations sous garantie du fabricant.
  - E. Temps nécessaire pour tout contrôle de sécurité, entraînement de sécurité, ou situation semblable parce que le personnel de service puisse obtenir l'accès à l'installation.
  - F. L'emplacement de l'unité doit être facilement accessible et avoir l'espace suffisant parce que le personnel de service puisse effectuer les réparations.
9. RÉPARATION OU REMPLACEMENT EFFECTUÉ PAR LE GARANT AUX TERMES DE LA PRÉSENTE GARANTIE : La réparation ou le remplacement sera prévu et exécuté en fonction de la charge de travail dans le centre de service et dépendra de la disponibilité des pièces de rechange. Cette Garantie Limitée s'applique aux É.-U., au Canada et au Mexique seulement et vous donne des droits juridiques précis. L'acheteur peut également jouir d'autres droits qui varient d'une Province, d'un État ou d'un Pays à l'autre.



Por favor lea y guarde estas instrucciones. Léalas cuidadosamente antes de tratar de montar, instalar, operar o dar mantenimiento al producto aquí descrito. Protéjase usted mismo y a los demás observando toda la información de seguridad. ¡El no cumplir con las instrucciones puede ocasionar daños, tanto personales como a la propiedad! Guarde estas instrucciones para referencia en el futuro.

# Compresores de Aire Portátiles

## Índice

Descripción .....	17
Déballage .....	17
Medidas de Seguridad .....	17
Informaciones Generales de Seguridad .....	17
Introducción .....	19
Ensamblaje .....	19
Funcionamiento .....	21
Mantenimiento .....	21
Guía de Diagnóstico de Averías .....	22
Garantía .....	24

## Descripción

Estos compresores de aire están diseñados para suministrarle aire comprimido a herramientas neumáticas y operar pistolas pulverizadoras. Los cabezales suministrados con estas unidades están lubricados con aceite. El aire comprimido suministrado contiene residuos de aceite. Para utilizarlo en aplicaciones que requieran el suministro de aire sin residuos de aceite o agua, le debe instalar un filtro adecuado. El compresor de aire se debe colocar sobre un piso sólido según las instrucciones suministradas. Cualquier otro uso de estas unidades cancelaría la garantía y el fabricante no sería responsable por los problemas o daños ocasionados por dichos usos.

## Déballage

Dès que l'appareil est déballé, l'inspecter attentivement pour tout signe de dommages en transit. S'assurer de resserrer tous les raccords, boulons, etc. avant de le mettre en service.

**LEA Y SIGA TODAS LAS INSTRUCCIONES**

**GUARDE ESTAS INSTRUCCIONES**

**NO LAS DESECHE**

## Medidas de Seguridad

Este manual contiene información que es muy importante que sepa y comprenda. Esta información se la suministramos como medida de SEGURIDAD y para EVITAR PROBLEMAS CON EL EQUIPO. Debe reconocer los siguientes símbolos.

**▲ PELIGRO** Peligro indica una situación inminentemente peligrosa, que si no se evita, dará como resultado la muerte o lesiones graves.

**▲ ADVERTENCIA** Advertencia indica una situación potencialmente peligrosa, que si no se evita, PODRÍA ocasionar la muerte o lesiones graves.

**▲ PRECAUCION** Precaución indica una situación potencialmente peligrosa, que si no se evita, PUEDE dar como resultado lesiones leves o moderadas.

**AVISO** Aviso indica una información importante, que de no seguirla, le podría ocasionar daños al equipo.

**NOTA:** Información que requiere atención especial.

## Informaciones Generales de Seguridad

### PROPOSICIÓN 65 DE CALIFORNIA

**▲ ADVERTENCIA** Este producto, o su cordón eléctrico, puede contener productos químicos conocidos por el estado de California como causantes de cáncer y defectos de nacimiento u otros daños reproductivos. Lave sus manos después de usar.

**▲ ADVERTENCIA** Cuando corta lija, taladra o pule materiales como por ejemplo madera, pintura, metal, hormigón, cemento, u otro tipo de mampostería se puede producir polvo. Con frecuencia



## ▲ PELIGRO

### Advertencia sobre el aire respirable

Este compresor/cabezal no viene listo de fábrica para suministrarle aire respirable. Antes de utilizarlos con este fin, deberá instalarle un sistema de seguridad y alarma incorporado a la línea. Este sistema adicional es necesario para filtrar y purificar el aire adecuadamente, para cumplir con las especificaciones mínimas sobre aire respirable de Grado D descritas en la Especificación de Productos G 7.1 - 1966 de la Asociación de Aire Comprimido. Igualmente, deberá cumplir los requisitos establecidos por el Artículo 29 CFR 1910. 134 de la Organización norteamericana OSHA y/o la Canadian Standards Associations (CSA).

**RENUNCIA A LAS GARANTIAS**  
Si el compresor se utiliza para producir aire respirable SIN haberle instalado el sistema de seguridad y alarma, todas las garantías se anularán y la compañía el fabricante no asumirá NINGUNA responsabilidad por pérdidas, heridas personales o daños.


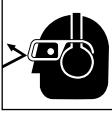
este polvo contiene productos químicos que se conocen como causantes de cáncer, defectos congénitos u otros daños reproductivos. Use equipo de protección.


**RECORDATORIO:** ¡Guarde su comprobante de compra con fecha para fines de la garantía! Adjúntela a este manual o archívela en lugar seguro.


## Informaciones Generales de Seguridad (Continuación)

### GENERALES SEGURIDAD

Como el compresor de aire y otros componentes usados (bomba de material, pistolas pulverizadoras, filtros, lubricadores, mangueras, etc.) integran un sistema de alta presión, en todo momento deberá seguir las siguientes medidas de seguridad:


1. Lea con cuidado todos los manuales incluidos con este producto. Familiarícese con los controles y el uso adecuado del equipo. 
2. Siga todos los códigos de seguridad laboral y electricidad establecidos en su país, por ejemplo, los de la NEC y OSHA en EUA.
3. Sólo personas bien familiarizadas con estas medidas de seguridad deben utilizar el compresor.
4. Mantenga a los visitantes alejados y NUNCA permita la presencia de niños en el área de trabajo.
5. Use anteojos de seguridad y protéjase los oídos para operar la unidad. 
6. No se apoye sobre la unidad ni la use para sostenerse.
7. Antes de cada uso, revise el sistema de aire comprimido y los componentes eléctricos para ver si están dañados, deteriorados o hay fugas. Antes de usarlo cerciórese de reemplazar las piezas defectuosas.
8. Chequee todas las conexiones frecuentemente para cerciorarse de que estén bien apretadas.

**ADVERTENCIA** Los motores, equipos eléctricos y controles, pueden ocasionar arcos eléctricos que se encenderían con gases o vapores inflamables. Nunca utilice o repare el compresor cerca de gases o vapores inflamables. Nunca almacene líquidos o gases inflamables cerca del compresor. 

**ADVERTENCIA** Nunca opere el compresor sin las tapas de protección. Esta unidad se puede encender automáticamente sin previo aviso. El contacto con las piezas en movimiento 

le podría ocasionar heridas o daños a su propiedad.

9. Nunca use ropa muy holgada ni joyas, ya que se le podrían enredar en las partes en movimiento.

**PRECAUCION** Las piezas del compresor podrían estar calientes inclusive si la unidad no está funcionando. 


10. Mantenga los dedos alejados del compresor cuando esté funcionando; las piezas en movimiento o calientes le ocasionarían heridas y/o quemaduras.
11. Si el equipo comienza a vibrar excesivamente, APAGUE la unidad y chequéela inmediatamente para determinar el problema. Generalmente, la vibración se debe a una falla.
12. Para reducir el peligro de incendios, mantenga el exterior del compresor limpio (sin aceite, solvente o exceso de grasa).

**ADVERTENCIA** DEBE instalarle una válvula de seguridad ASME que esté diseñada para presiones máximas de 12,1 bar en el tanque de este compresor. Esta válvula debe estar diseñada para los valores máximos de flujo y presión para proteger los componentes bajo presión contra el peligro de explosión.

**PRECAUCION** Vea las especificaciones del compresor en la calcomanía para la presión máxima operativa. No opere con el presostato o la válvula piloto ajustados a presiones más elevadas de la presión máx. operativa.

13. Nunca trate de ajustar la válvula de seguridad ASME. Manténgala limpia y evite que la acumulación de pintura u otros desperdicios.

**ADVERTENCIA** Nunca use tuberías de plástico (PVC) en sistemas de aire comprimido. El compresor sin las tapas de protección. El hacerlo podría ocasionarle heridas o daños a su propiedad.

**PELIGRO** ¡Nunca trate de reparar o modificar el tanque! Al soldarlo, taladarle orificios o modificarlo de cualquier otro modo éste se debilitaría y podría romperse o explotar. Siempre reemplace los tanques desgastados, rotos o dañados. 


### AVISO

**Drene el tanque diariamente.**

14. Los tanques se oxidan debido a la acumulación de humedad. Cerciórese de drenar el tanque con regularidad e inspéccionelo periódicamente para ver si no está en buenas condiciones, por ejemplo si está oxidado.
15. Si expulsa aire rápidamente podría levantar polvo o residuos dañinos. Libere el aire lentamente para drenar el tanque o liberar la presión del compresor.

### PRECAUCIONES PARA ROCIAR

**ADVERTENCIA** Nunca rocíe materiales inflamables cerca de llamas al descubierto o fuentes de ignición, incluyendo el compresor. 

16. No fume mientras esté rociando pintura, insecticidas u otras sustancias inflamables.
17. Use una máscara / respirador cuando vaya a rociar y siempre rocíe en un área bien ventilada, para evitar peligros de salud e incendios. 
18. Nunca rocíe la pintura y otros materiales, directamente hacia el compresor. Coloque el compresor lo más lejos posible del área de trabajo, para minimizar la acumulación de residuos en el compresor.
19. Al rociar o limpiar con solventes o químicos tóxicos, siga las instrucciones del fabricante de dichos químicos.

### Introducción

Vea la Figura 1a ó 1b.

**Presostato** - Sistema de encendido automático - En AUTO, el compresor se apaga automáticamente cuando la presión del tanque alcanza la presión máxima fijada. Después de gastar el aire del tanque y que la presión baje al nivel bajo preajustado, el presostato automáticamente vuelve a prender el motor. En OFF, el compresor no puede funcionar. El presostato debe estar en OFF cuando vaya a conectar o desconectar el cordón eléctrico del tomacorrientes.

Cuando el presostato apaga el motor usted podrá oír la salida de aire de la válvula de descarga del presostato por un breve tiempo. Esto descarga la presión de aire del tubo de descarga y permite que el compresor vuelva a arrancar con facilidad.

**Regulador** - El regulador controla la presión de aire que sale por la manguera.

**Válvula de Seguridad ASME** - Esta válvula libera el aire automáticamente si la presión del tanque excede el nivel máximo fijado.

**Tubo de Descarga** - Este tubo transporta el aire comprimido del cabezal a la válvula de chequeo. Este tubo se calienta mucho durante el uso. Para evitar el riesgo de sufrir quemaduras severas, nunca toque el tubo de descarga.

**ADVERTENCIA** Para evitar el riesgo de sufrir severas, nunca toque el tubo de descarga.

**Válvula de Chequeo** - Esta válvula de un solo sentido permite la entrada de aire al tanque, pero evita que se regrese al cabezal.

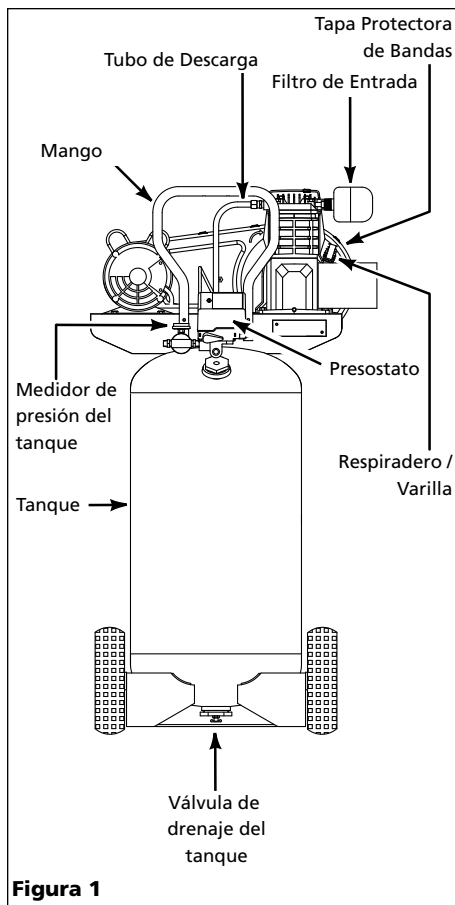


Figura 1

**Mango** - Diseñado para mover el compresor.

**ADVERTENCIA** Nunca use el mango para levantar completamente la unidad. El mango es sólo para halar o empujar este producto.

**Tapa protectora de banda** - Cubre la banda, la polea del motor y el volante.

**ADVERTENCIA** Nunca utilice el compresor sin la tapa de las bandas. Esta unidad se puede encender automáticamente sin previo aviso. Las piezas en movimiento podrían ocasionarle heridas o daños a su propiedad.



**Válvula de drenaje del tanque** - Esta válvula está ubicada en la parte inferior del tanque. Use esta válvula para drenar diariamente la humedad del tanque para reducir el riesgo de que el tanque se oxide.

Diariamente, reduzca la presión del tanque a menos de 0,69 bar antes de abrir la válvula de drenaje.

**Medidor de presión del tanque** - Indica la cantidad de presión de aire almacenada en el tanque.

**Medidor de presión de la manguera** - Indica la cantidad de presión de aire en la manguera utilizada para hacer funcionar las herramientas. Esta presión se aumenta o disminuye con el regulador.

**Ensamblaje**

**ENSAMBLADO DEL MANGO** - El mango puede venir ensamblado previamente en algunas unidades.

Introduzca cuatro tornillos a través de los orificios que se encuentran en el mango y apriételos a la plancha de la base del tanque (Vea la Figura 2).

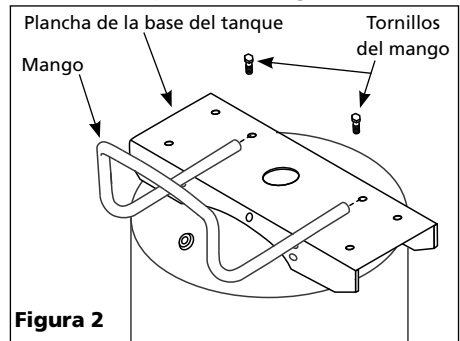


Figura 2

**ENSAMBLADO DEL PIE**

Los artículos marcados con un asterisco (\*) se envían de fábrica desconectados de la unidad. (Vea la Figura 3).

1. Incline la unidad para permitir el acceso al pie frontal y asegurarlo adecuadamente para que la unidad no se vuelque.
2. Introduzca el perno a través del pie y de la escuadra. El pie debe estar en el lado más bajo de la escuadra.
3. Asegúrelo firmemente con la tuerca de seguridad. Repita el procedimiento en el lado opuesto.

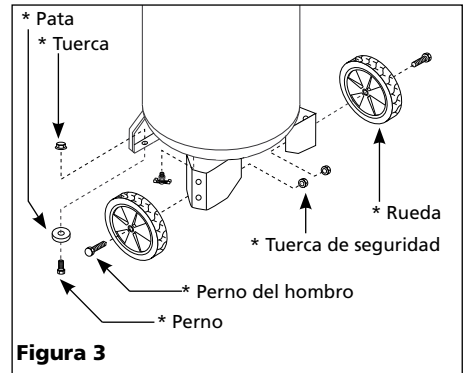


Figura 3

**INSTALACIÓN DEL RESPIRADERO**

Retire el tapón del orificio para llenar el aceite. Instale el respiradero (se encuentra en la bolsa de las piezas con este manual). Vea la Figura 4.

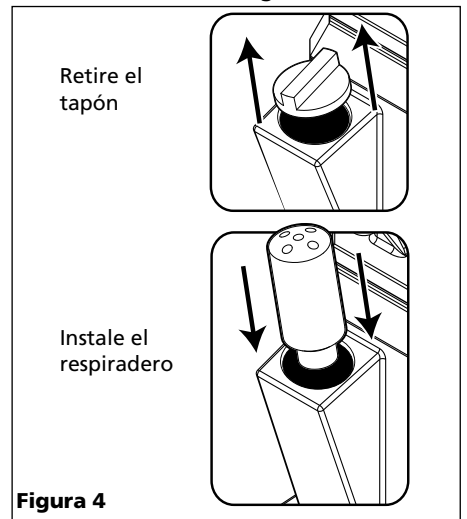


Figura 4

**LUBRICACION**

**PRECAUCION** VERIFIQUE EL NIVEL DE ACEITE. ALGUNAS UNIDADES TRAEN EL ACEITE. Antes de utilizar el compresor, llénelo de aceite según las instrucciones de lubricación.

Verifique que la extensión para el drenaje del aceite y la tapa hayan sido instaladas (si están incluidas) luego retire el respiradero (ver Figura 5) y llene con aceite de bomba de acuerdo a la tabla.

## Ensamblaje (Continuación)

Cabezal	Cap. Aprox. de Aceite
VS260000KB	0,18 L
VT470000KB	0,25 L
VT480000KB	0,25 L

Ver la etiqueta de las especificaciones en el tanque de aire para el número de modelo y refiérase a la tabla para la capacidad de aceite apropiada.

### EXTENSIÓN DE DRENAJE DE ACEITE

Algunos modelos incluyen una extensión de drenaje de aceite y una tapa (se encuentra con el manual del propietario). Instale la extensión de drenaje de aceite y la tapa antes de agregar aceite a la bomba. Para evitar pérdidas, se recomienda aplicar una cinta de teflón o macilla de plomero sobre las roscas de cada extremo de la extensión de drenaje de aceite. Atornille la tapa sellar un extremo de la extensión. Quite la llave de drenaje de la base de la bomba e instale la extensión de drenaje de aceite, (vea la Figura 5).

### ACEITE

Use aceite SAE 30 de calidad industrial para compresores de aire o un sintético tipo Mobil 1 10W30. No use aceite normal para vehículos tipo 10W-30. Los aditivos en los aceites para motores pueden ocasionar depósitos de residuos en las válvulas y reducir la duración del cabezal. Para lograr la máxima duración del cabezal, drene el aceite y cámbielo después de la primera hora de funcionamiento. La Figura 5 le indica el nivel adecuado de aceite.

En las bombas con mirilla de aceite, el nivel de aceite puede verificarse y mantenerse como se indica en la Figura 5.

### DATOS ELÉCTRICOS

#### ⚠ PRECAUCIÓN

**El alambrado inadecuado podría ocasionar sobrecalentamiento, cortocircuitos o incendios.**



No use un cable de extensión, use una manguera de aire más larga.

Las unidades de 120 voltios, 15 amperios se pueden usar con circuitos de 120 voltios 15 amperios bajo las siguientes condiciones:

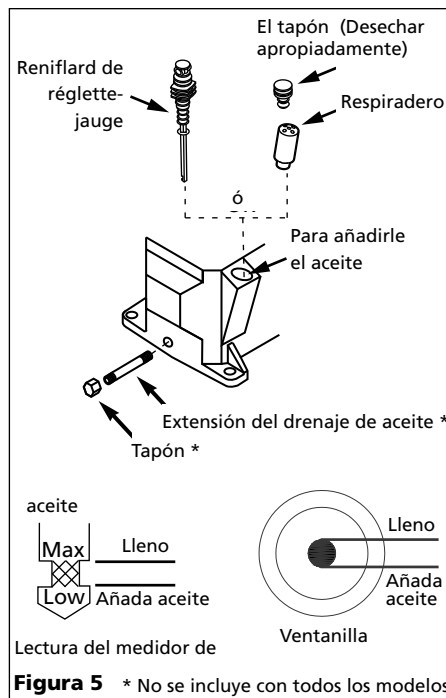


Figura 5 \* No se incluye con todos los modelos

1. No haya ningún otro artefacto eléctrico o luces conectados al mismo circuito.
2. El voltaje es de 120 voltios.
3. El circuito esté equipado con un cortacircuito de 15 amperios o un fusible de acción retardada tipo T de 15 amperios (En el Canadá use Tipo D).
4. El largo del alambre de cobre entre la toma y el interruptor no excede los 40 pies (12 m) de 14 AWG, o 70 pies (21 m) de 12 AWG.

Si no puede satisfacer las condiciones arriba enumeradas o si el cortacircuito se activa, quizás tenga que hacer trabajar el compresor sobre un circuito de 120 voltios, 20 amperios. Ver Figura 6.

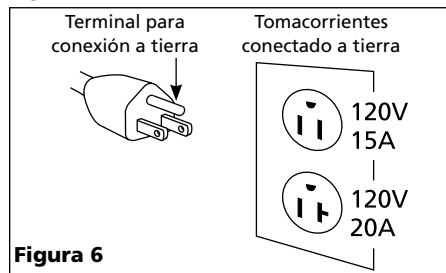


Figura 6

Verifique la compatibilidad para 240 voltios en la placa de datos del motor. La unidad de 240 voltios debe trabajar sobre un circuito de 240 voltios. El cable que se proporciona puede enchufarse sólo en un tomacorrientes

de 240 voltios con conexión a tierra. Vea Figura 7.

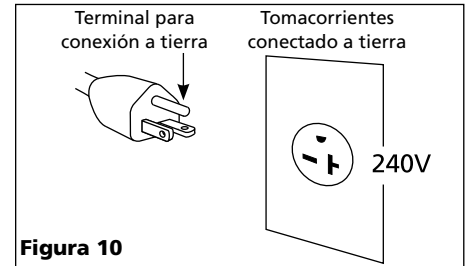


Figura 10

### INSTRUCCIONES PARA CONECTAR A TIERRA

Este producto debe estar conectado a tierra. En caso de que suceda un corto circuito eléctrico, la conexión de descarga a tierra reduce el riesgo de choque eléctrico al proporcionar un cable de escape para la corriente eléctrica. Este producto está equipado con un cordón que tiene un cable de descarga a tierra con un enchufe de conexión a tierra apropiado. El enchufe debe estar enchufado a un tomacorriente que esté correctamente instalado y con conexión a tierra de acuerdo a todos los códigos y ordenanzas locales.

#### ⚠ ADVERTENCIA La



**instalación incorrecta del enchufe de conexión a tierra puede dar como resultado un riesgo de choque eléctrico. Cuando sea necesario reparar o reemplazar el cordón o el enchufe, no conecte el cable de conexión a tierra a ninguno de los bornes planos del enchufe. El cable con aislante que tiene una superficie exterior de color verde, con o sin bandas amarillas, es el cable de conexión a tierra.**

No use un adaptador de conexión a tierra.

Verifique con un electricista calificado o técnico de reparación cuando no comprenda totalmente las instrucciones de conexión de descarga a tierra, o cuando tenga alguna duda sobre si el producto está conectado a tierra de forma adecuada. No modifique el enchufe que se proporciona; si no lo puede conectar al tomacorriente, haga que un electricista calificado instale el tomacorriente adecuado.

Este producto está diseñado para el uso en un circuito de 120 voltios nominales

y tiene un enchufe de conexión a tierra similar al enchufe ilustrado en la Figura 6. Sólo conecte este dispositivo a un tomacorriente que tiene la misma configuración que el enchufe. No utilice un adaptador para conectar este producto.

**⚠ ADVERTENCIA** *Cuando cambie el voltaje del compresor, cerciórese de conectar el cable verde, de conexión a tierra, al terminal de conexión de tierra del enchufe y a la parte metálica del presostato.*

## Funcionamiento

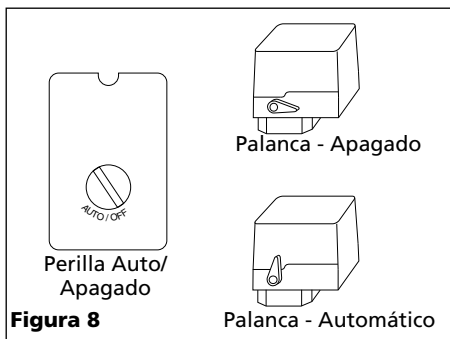
### PREPARACION PARA EL USO

**AVISO** *El cabezal de este compresor se debe llenar de aceite antes de encenderlo. Vea la sección de lubricación.*

**⚠ PRECAUCION** *No conecte las herramientas al extremo de la manguera hasta que haya completado los pasos a continuación y verificado que la unidad esté lista para funcionar.*

**⚠ ADVERTENCIA** *¡Nunca desconecte las conexiones con roscas antes de liberar la presión del tanque!*

1. Verifique que el nivel de aceite sea adecuado. Vea la Sección de Lubricación.
2. Abra la válvula de drenaje.
3. Gire la palanca del interruptor de presión o la perilla en la posición OFF y enchufe el cable de alimentación.



4. Gire la palanca del interruptor de presión o la perilla en la posición AUTO y deje que la unidad opere por 30 minutos para darle un rodaje a las piezas del motor (Vea la Figura 8).
5. Gire la perilla del regulador completamente en el sentido

contrario a las agujas del reloj. El compresor alcanzará la presión máxima fijada y se apagará.

6. Gire la perilla del regulador en el mismo sentido de las agujas del reloj para purgar el aire. El compresor se encenderá al alcanzar una presión fijada.
7. Gire la palanca o perilla del presostato a la posición (OFF) apagado y desenchufe el cordón eléctrico. Gire lentamente la perilla del regulador en sentido horario para dejar que se libere toda la presión de aire. No continúe con el siguiente paso hasta que la presión del tanque llegue a cero (0).
8. Conecte la manguera, luego agregue el portabroca u otra herramienta al extremo abierto de la manguera. Enchufe el cordón eléctrico. Gire la palanca del presostato a la posición AUTO. Cuando se alcance la presión total gire la perilla del regulador en sentido horario hasta alcanzar la presión de salida deseada.
9. Después del uso, gire la palanca del interruptor de presión o la perilla en la posición OFF.
10. Si el compresor no se utiliza durante un período de tiempo prolongado, purgue el aire de la línea y utilice la válvula de drenaje para drenar el agua del tanque. Luego siga el plan de mantenimiento.

**NOTA:** Los modelos eléctricos tienen un presostato que APAGA automáticamente el motor cuando la presión del tanque alcanza un nivel fijado. Igualmente, una vez que la presión del tanque haya bajado hasta otro nivel fijado, debido al consumo de aire, el presostato encenderá el motor automáticamente.

## Mantenimiento

### ⚠ ADVERTENCIA

*Desconecte el cordón eléctrico y amárrelo y después libere toda la presión del sistema antes de tratar de instalarlo, darle servicio o darle cualquier tipo de mantenimiento.*



Todos los trabajos de reparación los debe hacer un técnico autorizado.

### PARA EL FUNCIONAMIENTO EFICIENTE:

Semanalmente haga la siguiente prueba para verificar el funcionamiento adecuado de la válvula de seguridad y déle el mantenimiento necesario indicado en la tabla de mantenimiento.

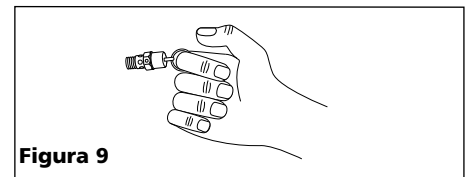


Figura 9

1. Hále el anillo de la válvula de seguridad y déjelo que regrese a su posición normal (Vea la Figura 9). Esta válvula libera el aire automáticamente si la presión del tanque excede el nivel máximo fijado.

**⚠ PELIGRO** *Nunca trate de modificar esta válvula. Esta válvula se debe chequear ocasionalmente. Si hay fugas de aire después de soltar el anillo, o si la válvula está atascada y no la puede activar con el anillo, deberá reemplazarla.*

**⚠ PRECAUCION** *Si la válvula de seguridad se hace funcionar con presión de aire en el tanque, se liberará una gran cantidad de aire que se encuentra en movimiento a gran velocidad.*

### HUMEDAD EN EL AIRE COMPRIMIDO

La humedad que se acumula en el aire comprimido se convierte en gotas a mediada que sale del cabezal. Cuando el nivel de humedad es muy alto o cuando el compresor ha estado en uso continuo por mucho tiempo, esta humedad se acumulará en el tanque. Cuando esté pintando o rociando arena, la humedad saldrá del tanque mezclada con el material que esté rociando.

**IMPORTANTE:** Esta condensación ocasionará manchas en la pintura, especialmente cuando esté pintando con pinturas que no sean a base de agua. Si está rociando arena, la humedad hará que la arena se aglutine y obstruya la pistola. Instale un filtro de línea, ubicado lo más cerca posible de la pistola, para tratar de eliminar este problema.

- Con el motor APAGADO y desconectado, limpie el motor, el volante, el tanque, las líneas de aire y las aletas de enfriamiento del cabezal.

### ASSISTÊNCIA TÉCNICA

Para recibir información sobre el funcionamiento o reparación de la unidad, sírvase llamar al 1-800-543-6400 (en EUA).

### Almacenamiento

- Cuando no los esté usando, almacene la manguera y el compresor en un sitio frío y seco.
- Debe drenar la humedad del tanque y desconectar la manguera y colgarla con los extremos hacia abajo para drenarla.
- Para proteger el cordón eléctrico, enróllelo en el mango de la unidad o enróllelo y amárrelo.

TORQUE REQUERIDO (kg/cm)		
Modelo	Pernos del Compresor	Pernos de los Cojinetes
VS	115-144	58-138
VT	259-346	58-138

MANTENIMIENTO				
SERVICIO NECESARIO	DIARIAMENTE	SEMANALMENTE	MENSUALMENTE	TRIMESTRALMENTE
Mida el Nivel de Aceite	●			
Drene el Tanque	●			
Chequee el Filtro de Aire		●		
Chequee la Válvula de Seguridad		●		
Limpie la unidad			●	
Chequee la Tensión de las Bandas			●	
Cámbiele el Aceite				●

### Guía de Diagnóstico de Averías

Problema	Posible(s) Causa(s)	Acción a Tomar
Baja presión de descarga	<ol style="list-style-type: none"> <li>La demanda de aire excede la capacidad de la bomba</li> <li>Pérdidas de aire</li> <li>Entrada de aire restringida</li> <li>Juntas defectuosas</li> <li>Válvulas dañadas o con pérdidas.</li> </ol>	<ol style="list-style-type: none"> <li>Reduzca la demanda de aire o utilice un compresor de mayor capacidad.</li> <li>Escuche para detectar pérdidas de aire. Aplique una solución jabonosa a todos los accesorios y conexiones. Aparecerán burbujas en los puntos donde existan pérdidas. Ajuste o reemplace los accesorios o conexiones con pérdidas.</li> <li>Limpie el elemento del filtro de aire.</li> <li>Reemplace cualquier junta que pruebe estar defectuosa al inspeccionarla.</li> <li>Quite el cabezal e inspecciónelo para detectar posibles roturas de la válvula, válvulas desalineadas, asientos de válvulas dañados, etc. Reemplace las piezas defectuosas y vuelva a armar.</li> </ol>
<b>⚠ PRECAUCION</b> <i>Instale una nueva junta para el cabezal cada vez que éste sea quitado.</i>		
El sobrecalentamiento de la bomba derrite el filtro	<ol style="list-style-type: none"> <li>No está la junta de aislamiento entre el filtro y el cabezal</li> <li>Válvulas rotas/juntas defectuosas</li> </ol>	<ol style="list-style-type: none"> <li>Instale la junta.</li> <li>Reemplace las válvulas o instale una junta nueva.</li> </ol>
Ruido excesivo (golpeteo)	<ol style="list-style-type: none"> <li>Motor o polea del compresor floja</li> <li>Falta de aceite en el cárter</li> <li>Biela gastada</li> <li>Diámetros del eje del émbolo desgastados</li> <li>El émbolo pega contra la placa de la válvula</li> </ol>	<ol style="list-style-type: none"> <li>Es común que el motor o las poleas del compresor flojas causen golpeteo de los compresores. Ajuste los tornillos de los sujetadores de la polea y los tornillos de montaje.</li> <li>Controle si el nivel de aceite es el adecuado; si está bajo, verifique la posibilidad de que los cojinetes estén dañados. El aceite sucio puede causar un desgaste excesivo.</li> <li>Reemplace la biela. Mantenga el nivel de aceite y cambie el aceite con más frecuencia.</li> <li>Quite los ensamblajes del émbolo del compresor e inspecciónelos para detectar un desgaste excesivo. Reemplace el eje del émbolo(s) si está excesivamente desgastado o según necesario. Mantenga el nivel de aceite y cambie el aceite con más frecuencia.</li> <li>Quite el cabezal del compresor y la placa de la válvula e inspeccione para detectar depósitos de carbón u otros elementos extraños en la cabeza del émbolo. Vuelva a colocar el cabezal y la placa de la válvula utilizando una junta nueva. Consulte la sección de lubricación para el aceite recomendado.</li> </ol>

## Guía de Diagnóstico de Averías (Continuación)

Problema	Posible(s) Causa(s)	Acción a Tomar
Ruido excesivo (golpeteo) (Continuación)	6. Válvula de verificación ruidosa en el sistema del compresor	6. Reemplácela. <b>⚠ PELIGRO</b> <i>No desarme la válvula de verificación con presión de aire en el tanque.</i>
Aceite excesivo en el aire de descarga. <b>NOTA:</b> En un compresor lubricado con aceite siempre hay una pequeña cantidad de aceite en el flujo de aire.	1. Aros del émbolo desgastado 2. La entrada de aire del compresor está restringida 3. Demasiado aceite en el compresor 4. Viscosidad del aceite equivocada	1. Reemplácelos con aros nuevos. Mantenga el nivel de aceite y cambie el aceite con más frecuencia. 2. Limpie el filtro. Verifique otras restricciones en el sistema de entrada. 3. Escúrralo hasta que alcance el nivel de lleno. 4. Use Mobil 1 <sup>o</sup> 10W-30.
Agua en el aire de salida o en el tanque	Operación normal. La cantidad de agua aumenta con el clima húmedo	1. Drene el tanque con más frecuencia. Al menos diariamente. 2. Agregue un filtro
El motor zumba y funciona lentamente o no funciona en lo absoluto	1. Utiliza un cordón de extensión 2. Malfuncionamiento de la válvula de verificación o de la válvula de descarga 3. Voltaje bajo 4. Malfuncionamiento del interruptor presión, los contactos no se cierran	1. No utilice un cordón de extensión. Utilice una manguera de aire más larga con un diámetro mayor. 2. Reemplace la válvula de verificación, la válvula de descarga o el interruptor de presión. <b>⚠ PELIGRO</b> <i>No desarme la válvula de verificación con presión de aire en el tanque.</i> 3. Verifique con un voltímetro, revise el interruptor de reajuste del motor. Si este se dispara varias veces, busque la causa y corríjala. Consulte el siguiente punto. 4. Repare o reemplace el interruptor de presión.
El mecanismo de reajuste interrumpe el funcionamiento constantemente o los fusibles se funden con frecuencia	1. Demasiados aparatos en el mismo circuito 2. Tamaño incorrecto del fusible o del disyuntor 3. Malfuncionamiento de la válvula de verificación 4. Interruptor de presión fijado demasiado alto 5. Cableado flojo 6. Malfuncionamiento del motor	1. Use sólo el compresor de aire en el circuito. 2. Asegúrese de que los fusibles o los disyuntores sean del tamaño adecuado. 3. Reemplace la válvula de verificación. <b>⚠ PELIGRO</b> <i>No desarme la válvula de verificación con presión de aire en el tanque.</i> 4. Ajuste o reemplace el interruptor. 5. Verifique todas las conexiones eléctricas 6. Reemplace el motor.
El tanque no mantiene la presión cuando el compresor está apagado y la válvula de cierre está cerrada	1. Válvula desgastada 2. Verifique todas las conexiones y los accesorios para detectar fugas 3. Revise el tanque para detectar fisuras o perforaciones	1. Reemplace la válvula. <b>⚠ PELIGRO</b> <i>No desarme la válvula de verificación con presión de aire en el tanque.</i> 2. Apriete. 3. Reemplace el tanque. Nunca repare un tanque dañado.
El interruptor de presión tira continuamente aire por la válvula de descarga	Malfuncionamiento de la válvula	Reemplace la válvula de verificación si la válvula de descarga tiene pérdidas constantemente. <b>⚠ PELIGRO</b> <i>No desarme la válvula de verificación con presión de aire en el tanque.</i>
El interruptor de presión no libera el aire cuando la unidad de apaga	Malfuncionamiento de la válvula de descarga en el interruptor de presión	Reemplace el interruptor de presión si éste no libera la presión por un breve período de tiempo cuando se apaga la unidad. <b>⚠ PELIGRO</b> <i>No desarme la válvula de verificación con presión de aire en el tanque.</i>
Vibración excesiva	1. Ajustadores flojos 2. La correa necesita ser reemplazada 3. Alineación de la correa	1. Ajústelos. 2. Reemplace la correa con otra del tamaño adecuado. 3. Alinee el volante y la polea.



## **Garantía Limitada**

1. DURACIÓN: A partir de la fecha de compra por el comprador original tal como se especifica a continuación: Tres Años o Cuatro Años como se indica en la etiqueta de características del producto.
  2. QUIEN OTORGA ESTA GARANTÍA (EL GARANTE: Campbell Hausfeld / The Scott Fetzer Company 100 Production Drive, Harrison, Ohio 45030 Teléfono: (800) 543-6400.
  3. QUIEN RECIBE ESTA GARANTÍA (EL COMPRADOR): El comprador original (que no sea un revendedor) del producto Campbell Hausfeld.
  4. PRODUCTOS CUBIERTOS POR ESTA GARANTÍA: Este compresor de aire Campbell Hausfeld.
  5. COBERTURA DE LA GARANTÍA: Piezas y Mano de Obra para remediar defectos importantes debidos a material y mano de obra durante el primer año de propiedad con las excepciones indicadas a continuación. Piezas solamente para remediar defectos importantes debidos a material y mano de obra durante el tiempo de cobertura que quede con las excepciones indicadas a continuación.
  6. LO QUE NO ESTÁ CUBIERTO POR ESTA GARANTÍA:
    - A. Las garantías implícitas, incluyendo aquéllas de comerciabilidad e IDONEIDAD PARA FINES PARTICULARES, ESTÁN LIMITADAS A PARTIR DE LA FECHA DE COMPRA ORIGINAL DE ACUERDO CON LO ESPECIFICADO EN EL PÁRRAFO DE DURACIÓN. Si el compresor de aire es empleado para uso comercial, industrial o para renta, la garantía será aplicable por noventa (90) días a partir de la fecha de compra. En algunos estados no se permiten las limitaciones a la duración de una garantía implícita, por lo cual las limitaciones antedichas pueden no ser aplicables en su caso.
    - B. CUALQUIER PÉRDIDA DAÑO INCIDENTAL, INDIRECTO O CONSECUENTE QUE PUEDA RESULTAR DE UN DEFECTO, FALLA O MALFUNCIONAMIENTO DEL PRODUCTO CAMPBELL HAUSFELD. En algunos estados no se permite la exclusión o limitación de daños incidentales o consecuentes, por lo tanto, en tales casos esta limitación o exclusión no es aplicable.
    - C. Cualquier falla que resulte de un accidente, abuso, negligencia o incumplimiento de las instrucciones de funcionamiento y uso indicadas en el (los) manual(es) que se adjunta(n) al compresor.
    - D. Los servicios requeridos antes de la entrega tales como: ensamblaje, aceite o lubricantes y ajustes.
    - E. Artículos o servicios normalmente requeridos para el mantenimiento del producto, tales como: lubricantes, filtros, empaques, etc.
    - F. Los motores de gasolina están específicamente excluidos de la cobertura de esta garantía limitada. El comprador debe seguir las cláusulas de la garantía otorgada por el fabricante del motor de gasolina que se suministra con el producto.
    - G. Artículos adicionales no cubiertos bajo esta garantía:
      1. Piezas excluidas que pertenecen a Todos los Compresores
        - a. Cualquier componente dañado durante el envío o cualquier daño ocasionado por haber instalado u operado la unidad bajo condiciones contrarias a lo indicado en las instrucciones para instalar u operar la unidad o daños ocasionados por el contacto con herramientas o los alrededores.
        - b. Daños del cabezal o las válvulas ocasionados por la lluvia, humedad excesiva, agentes corrosivos u otros contaminantes.
        - c. Daños de apariencia que no afecten el funcionamiento del compresor.
        - d. Tanques oxidados, incluyendo pero no limitado al óxido debido al drenaje inadecuado u agentes corrosivos en el ambiente.
        - e. Las siguientes piezas se consideran artículos sujetos a desgaste normal y no son cubiertas después del primer año de propiedad. Motor eléctrico, válvula de retención, interruptor de presión, regulador, manómetros, mangueras, tuberías, tubos, accesorios y acoples, tornillos, tuercas, artículos de ferretería, correas, poleas, volante, filtro de aire y caja, juntas, sellos, pérdidas de aceite, pérdidas de aire, consumo o uso de aceite, anillos del pistón.
        - f. Llaves de drenaje
        - g. Daños debidos al alambrado incorrecto o conexión a circuitos con voltaje inadecuados para la unidad.
        - h. Otros artículos no enumerados pero considerados de desgaste general.
        - i. Presostatos, controles de flujo de aire y válvulas de seguridad cuyos parametros fijados de fábrica se modifiquen.
        - j. Daño por mantenimiento inadecuado del filtro.
        - k. Motores de inducción alimentados con electricidad producida por un generador.
      2. Compresores lubricados:
        - a. Daños del cabezal o las válvulas debidos al uso de aceites no especificados.
        - b. Daños del cabezal o las válvulas debidos a cualquier contaminación del aceite o por no haber seguido las instrucciones de lubricación.
        - c. Desgaste o daño de la bomba causados por el no haber aplicado apropiadamente los criterios de mantenimiento en referencia al aceite, funcionamiento con nivel de aceite por debajo del nivel apropiado o funcionamiento sin aceite.
    - H. Mano de obra, llamadas de servicio o cargos por concepto de transporte después del primer año de propiedad de compresores estacionarios. Los compresores estacionarios se identifican por no tener asidero o ruedas.
  7. RESPONSABILIDADES DEL GARANTE BAJO ESTA GARANTÍA: Según elija el Garante, la reparación o el reemplazo del producto o los componentes que estén defectuosos, que hayan funcionado en forma inadecuada y/o que no hayan cumplido con su función dentro de la duración del período específico de la garantía.
  8. RESPONSABILIDADES DEL COMPRADOR BAJO ESTA GARANTÍA:
    - A. Suministrar prueba fechada de compra y la historia de mantenimiento del producto.
    - B. Entregar o enviar los compresores de aire portátiles o componentes al Centro de Servicio autorizado Campbell Hausfeld más cercano. Los gastos de flete, de haberlos, deben ser pagados por el comprador.
    - C. Tener cuidado al utilizar el producto, tal como se indica(n) en el (los) manual(es) del propietario.
    - D. Reparaciones que requieran tiempo adicional al horario normal de trabajo, o cualquier asunto que exceda la tarifa normal de reembolso por mano de obra para reparaciones bajo la garantía del fabricante.
    - E. El tiempo requerido por cualquier control de seguridad, capacitación relacionada con seguridad, o asuntos similares necesarios para que el personal de servicio pueda tener acceso a las instalaciones.
    - F. La ubicación de la unidad debe tener espacio suficiente para que el personal de servicio pueda realizar reparaciones y debe ser fácilmente accesible.
  9. CUÁNDO EFECTUARÁ EL GARANTE LA REPARACIÓN O REEMPLAZO CUBIERTO BAJO ESTA GARANTÍA: La reparación o reemplazo dependerá del flujo normal de trabajo del centro de servicio y de la disponibilidad de repuestos.
- Esta garantía limitada es válida sólo en los EE.UU., Canadá y México y otorga derechos legales específicos. Usted también puede tener otros derechos que varían de un Estado a otro. o de un país a otro.
-